

Panel Gauge

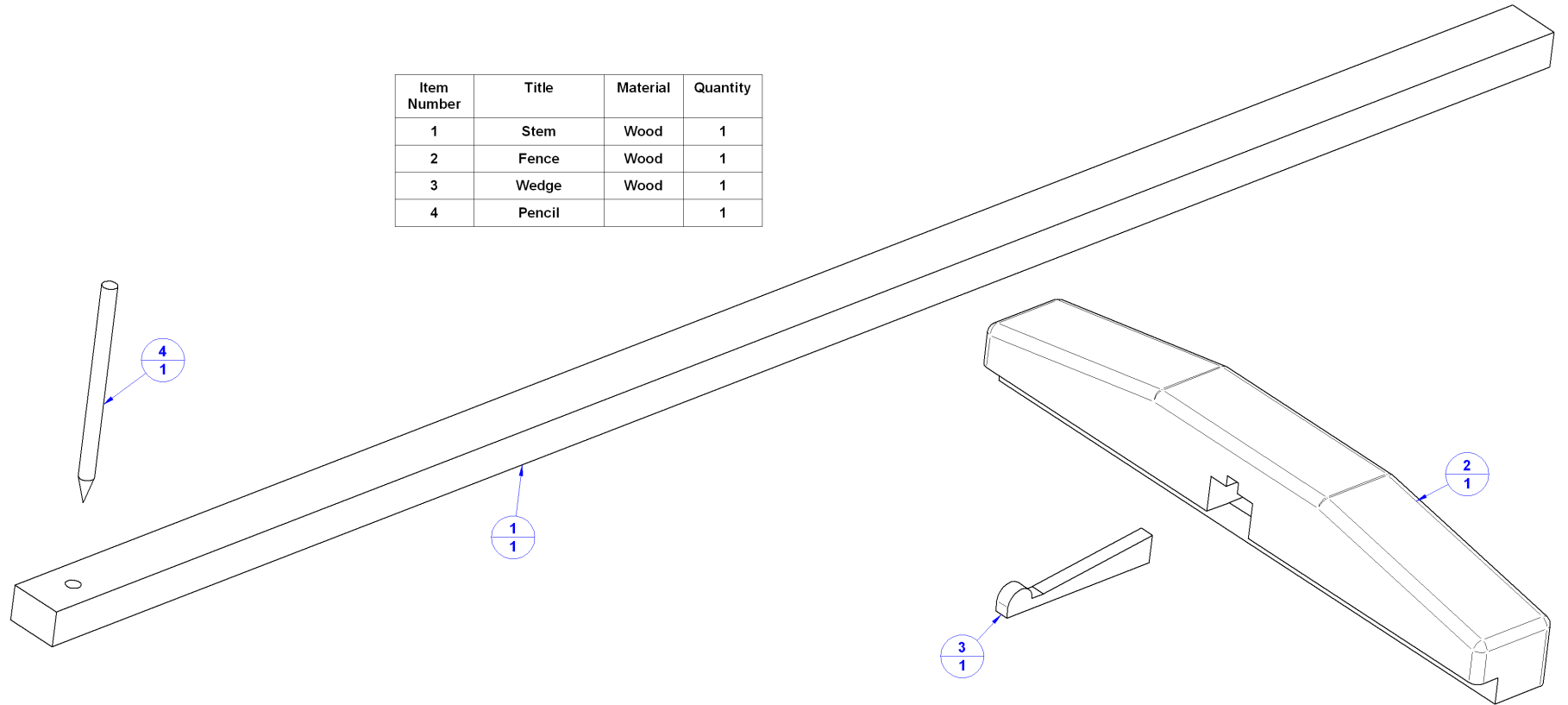
This is a large wooden gauge with a wide fence and a stem anything up to a metre long. Instead of the workpiece being marked with a metal spur, the stem carries a pencil, located in a hole at the one end. The fence and the stem are locked together by a wedge.

This type of gauge is used for marking out wide panels of timber or plywood. The lower edge of the fence is rabated on one side, which helps to keep it firmly in contact with the edge of the board to be marked.

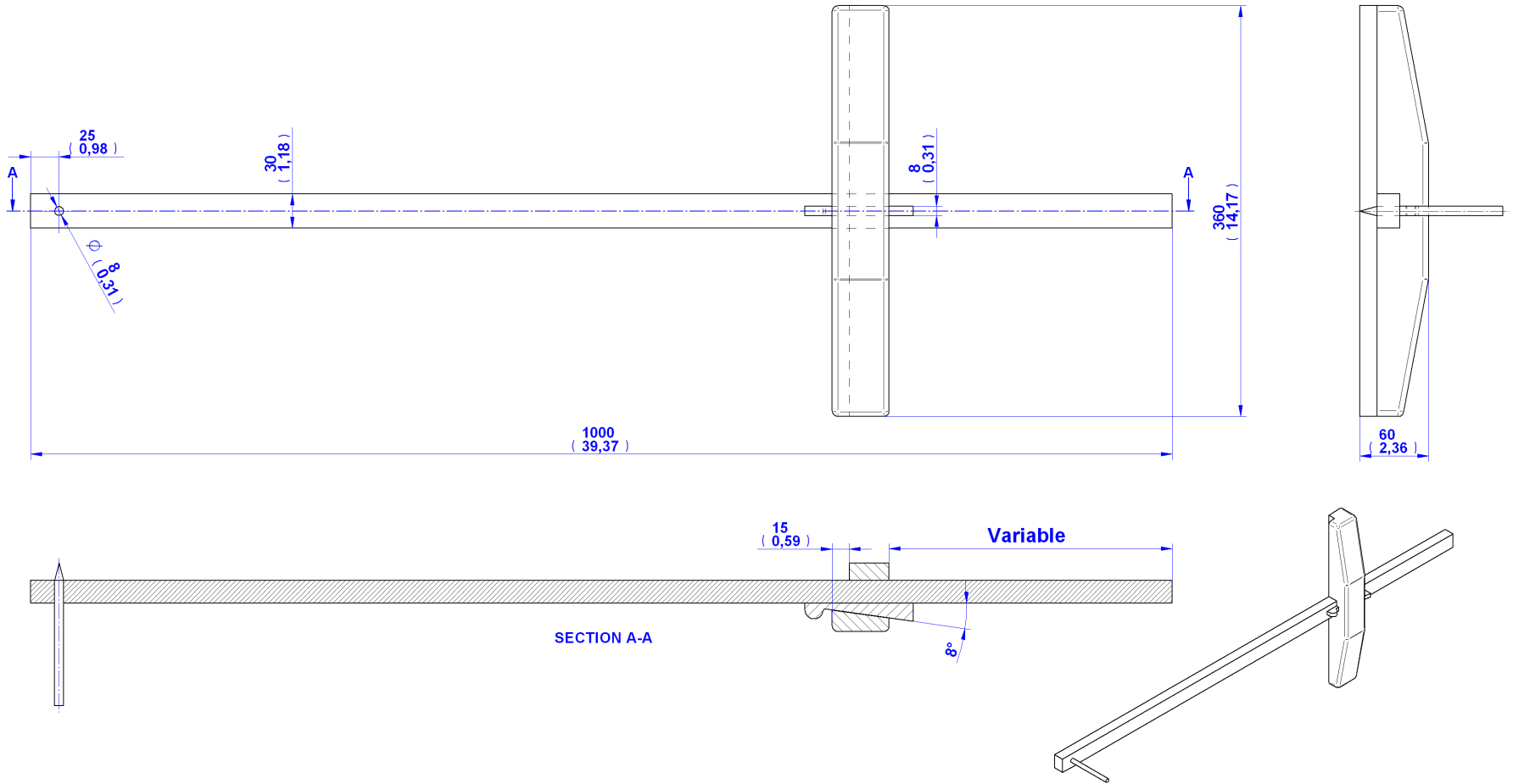


Parts list

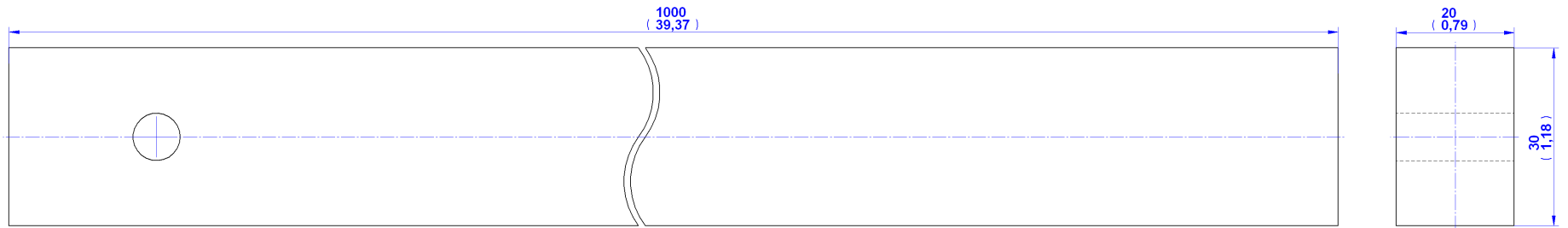
Item Number	Title	Material	Quantity
1	Stem	Wood	1
2	Fence	Wood	1
3	Wedge	Wood	1
4	Pencil		1



Assembly drawing

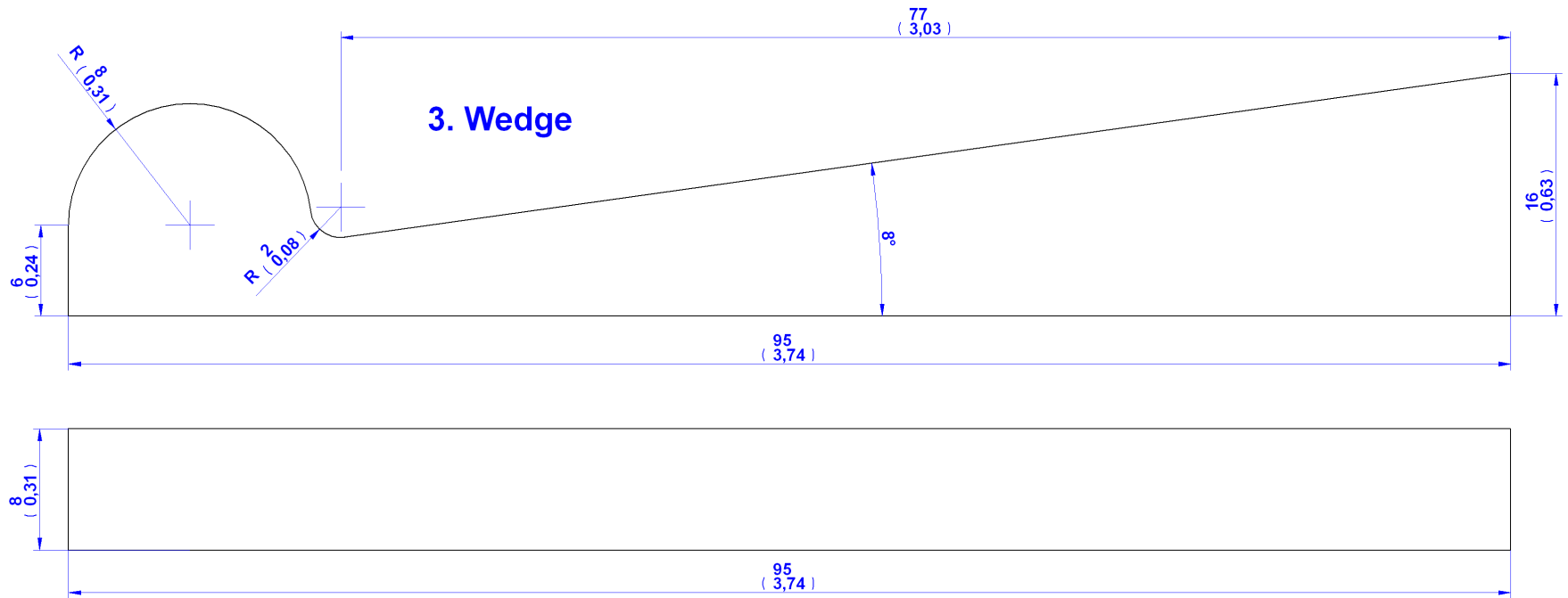


1. Stem



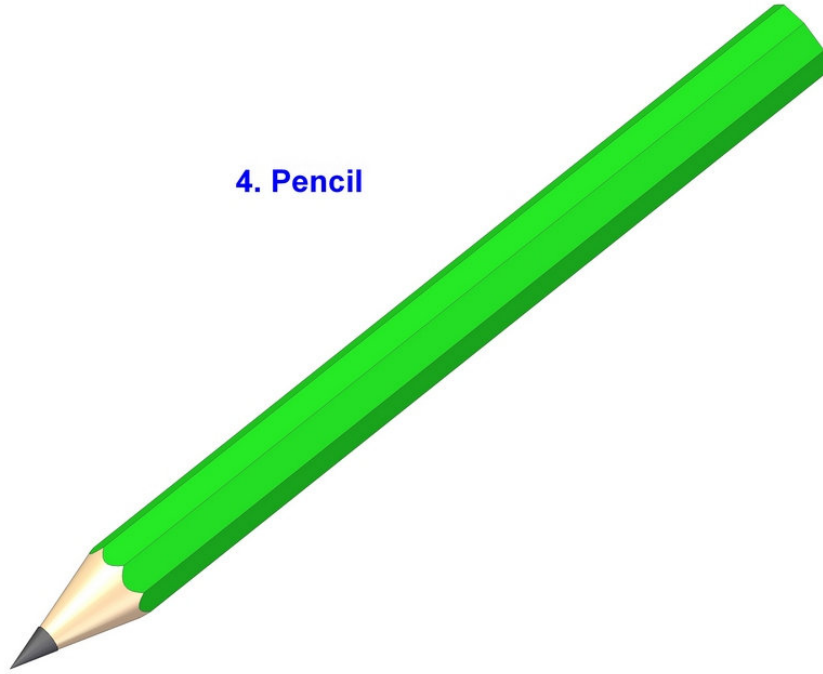
1. Stem

3. Wedge



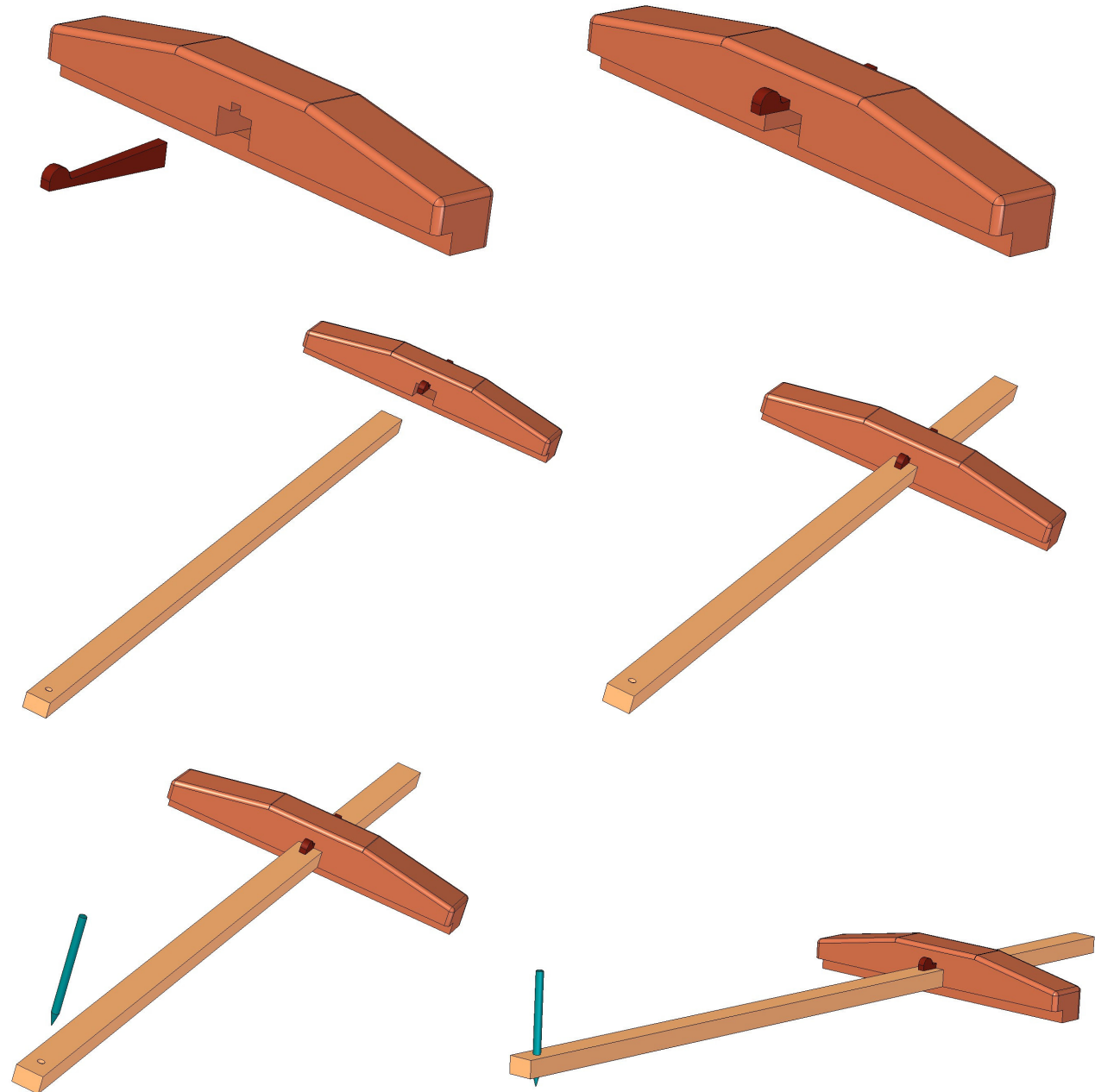
4. Pencil

4. Pencil



Assemblage instructions

Assemble the gauge by first inserting the wedge and then the stem into the mortise.



Using the Panel gauge

Set the distance between the pencil and the fence with a ruler. Tighten the fence by hitting the back of the wedge with a piece of wood or a small hammer. Loosen the fence by hitting the front of the wedge.