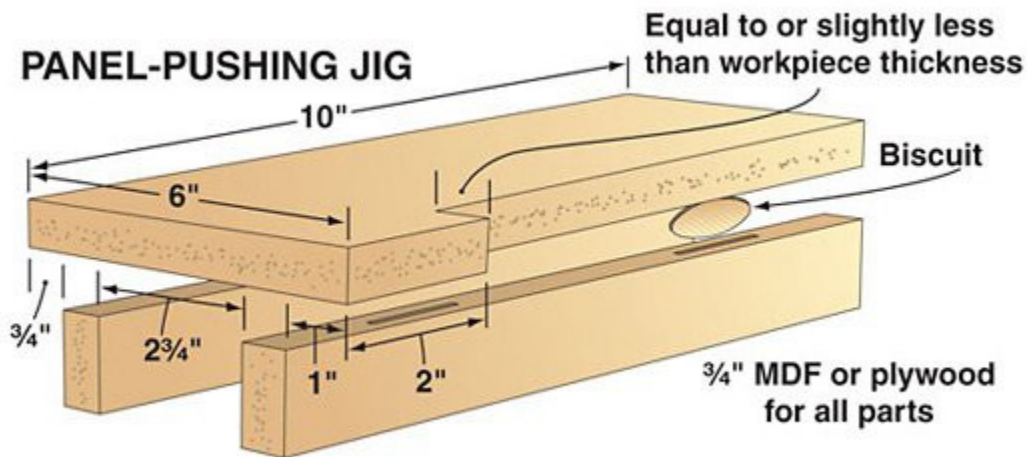
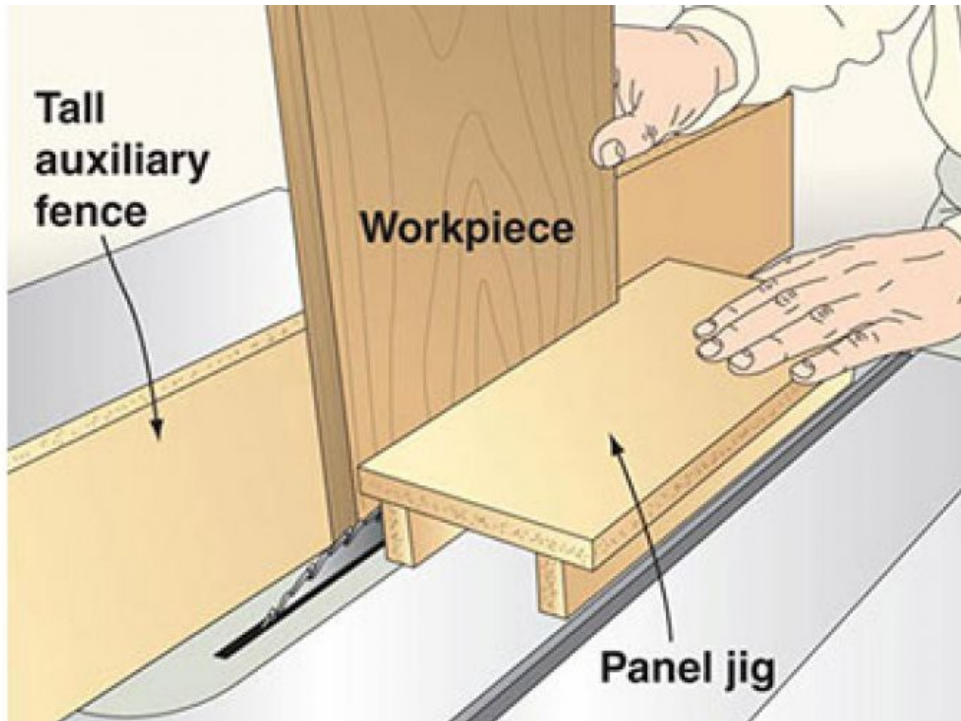


Raised-Panel Pushing Jig



The jig raises the pressure point on the panel, holding it tightly against the fence, and protects my fingers from the blade. I used biscuits to join the runners to the jig, but you also could dado the jig and glue the runners into place. (Note that the runners should be taller than the blade height.)