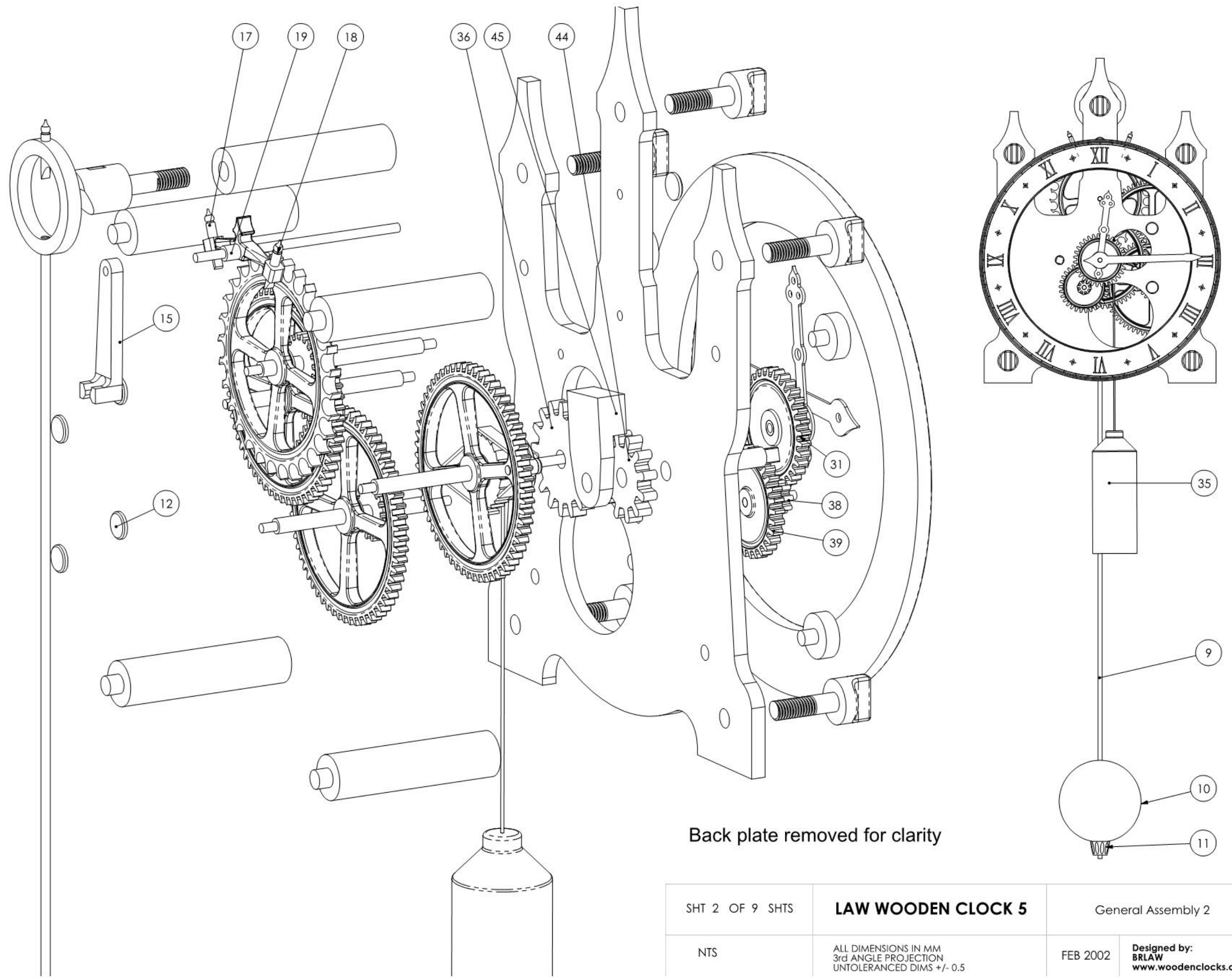


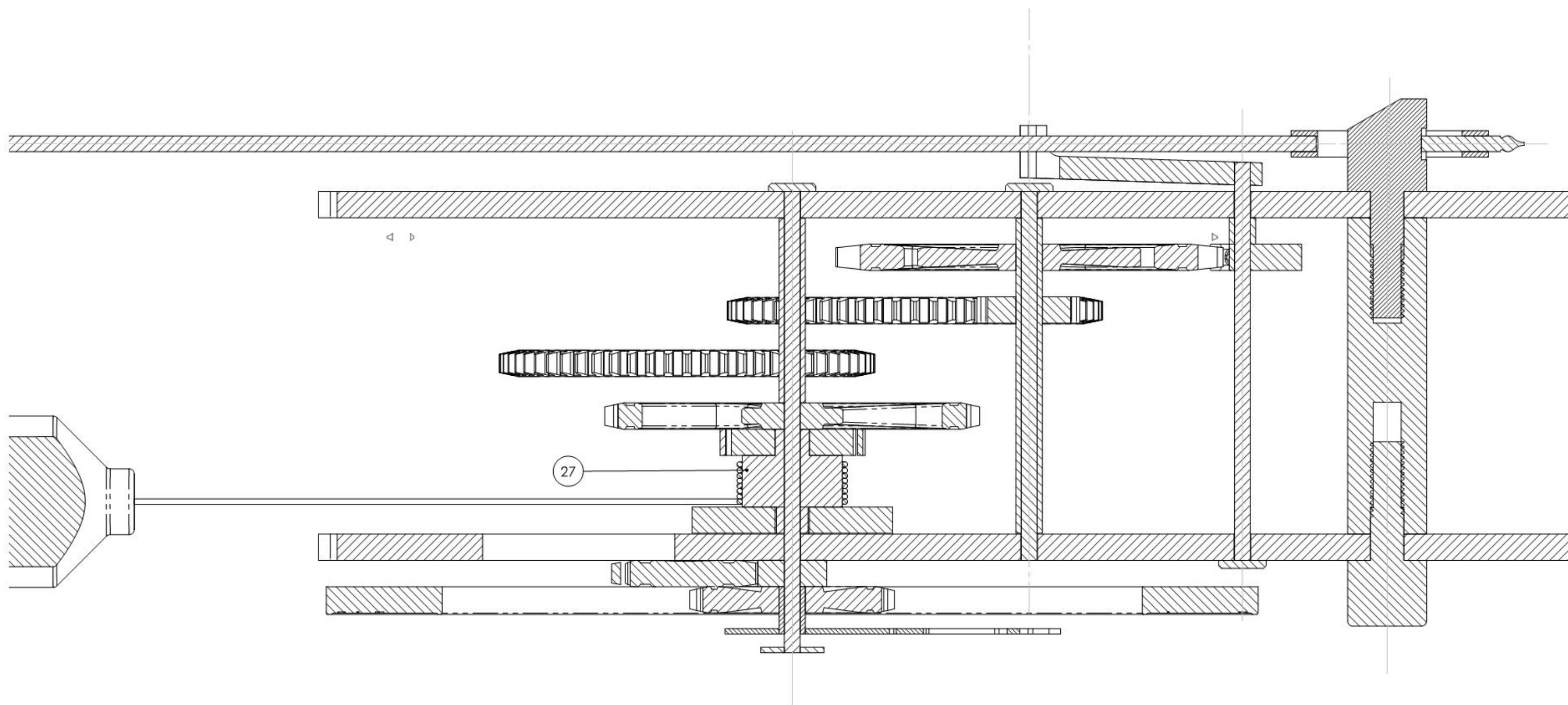
ITEM NO.	QTY.	PART NO.	DESCRIPTION
1	1	back	
2	1	front	
4	1	Pendulum hanger	
6	4	Dial spacer	
7	1	Pendulum head	
8	1	Pendulum pivot	
9	1	Pendulum rod	
10	1	Pendulum bob	
11	1	Pendulum nut	
12	7	Shaft cover	
13	5	Screw	
14	1	Shaft151	
15	1	yoke	
16	1	escape	
17	1	Pallet2	
18	1	Pallet1	
19	1	Yoke spacer	
20	1	Timing	
21	3	Shaft140	
22	3	Sleeve119	
23	1	16teeth	
24	1	Shaft175	
25	2	Pawl	
26	1	Sleeve70	
27	1	drum	
28	1	Ratchet	
29	3	60teeth	
30	2	Pawl pin	
31	1	32teeth	
32	1	10teeth	
33	1	sleeve18	
34	1	rope	
35	1	Weight	
36	1	16teeth_DP6	
37	1	shaft30	
38	1	8teeth	
39	1	30teeth	
40	2	15teeth	
41	1	Key shaft	
42	1	Minute hand	
43	1	Hour hand	
44	1	12teeth_DP6	
45	1	Winder support	
46	1	DialL2	
47	8	ropering	
48	5	Spacer	

SHT 1 OF 9 SHTS	<b>LAW WOODEN CLOCK 5</b>	General Assembly 1
NTS	ALL DIMENSIONS IN MM 3rd ANGLE PROJECTION UNTOLERANCED DIMS +/- 0.5	FEB 2002 Designed by: <b>BRLAW</b> www.woodenclocks.co.uk



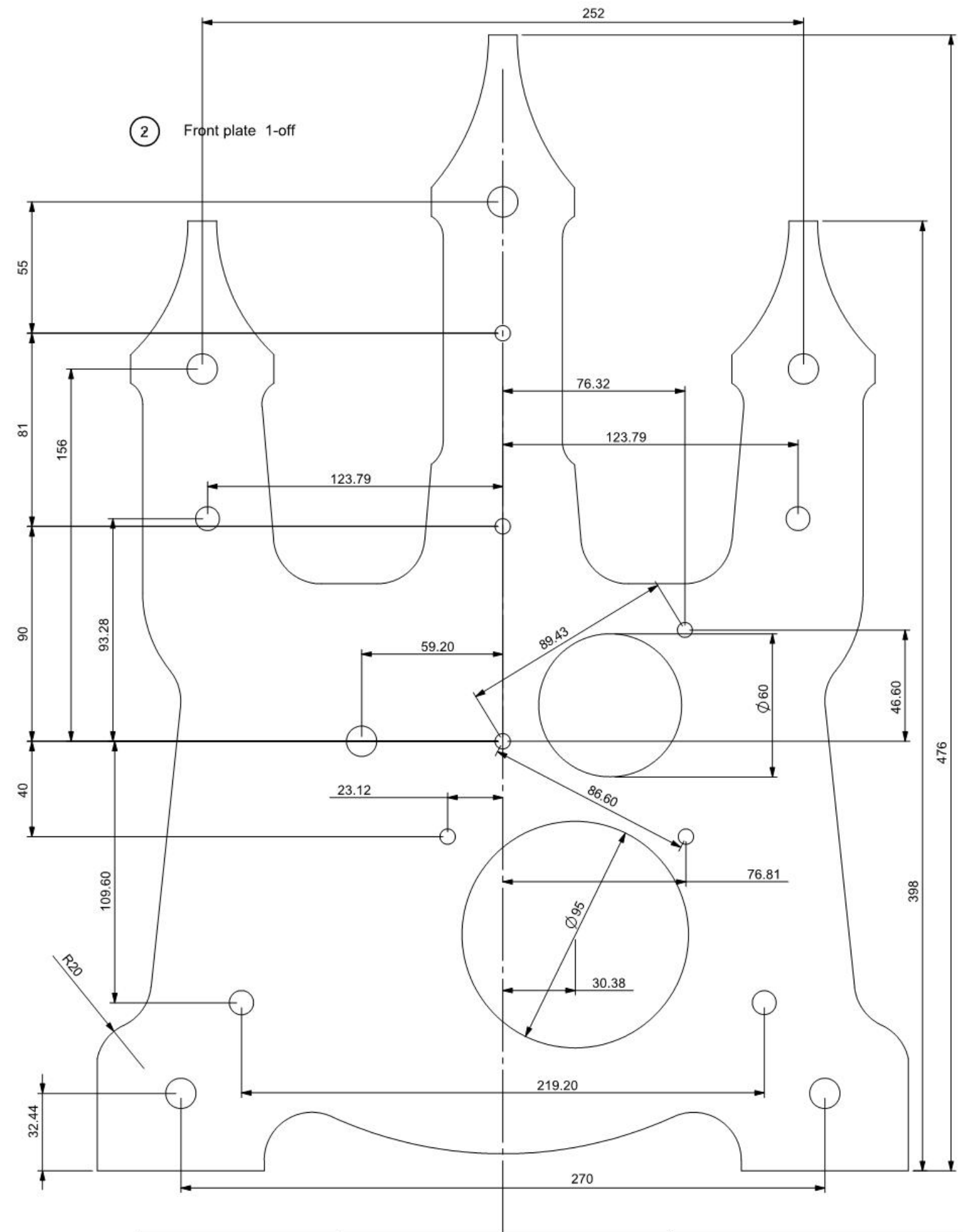
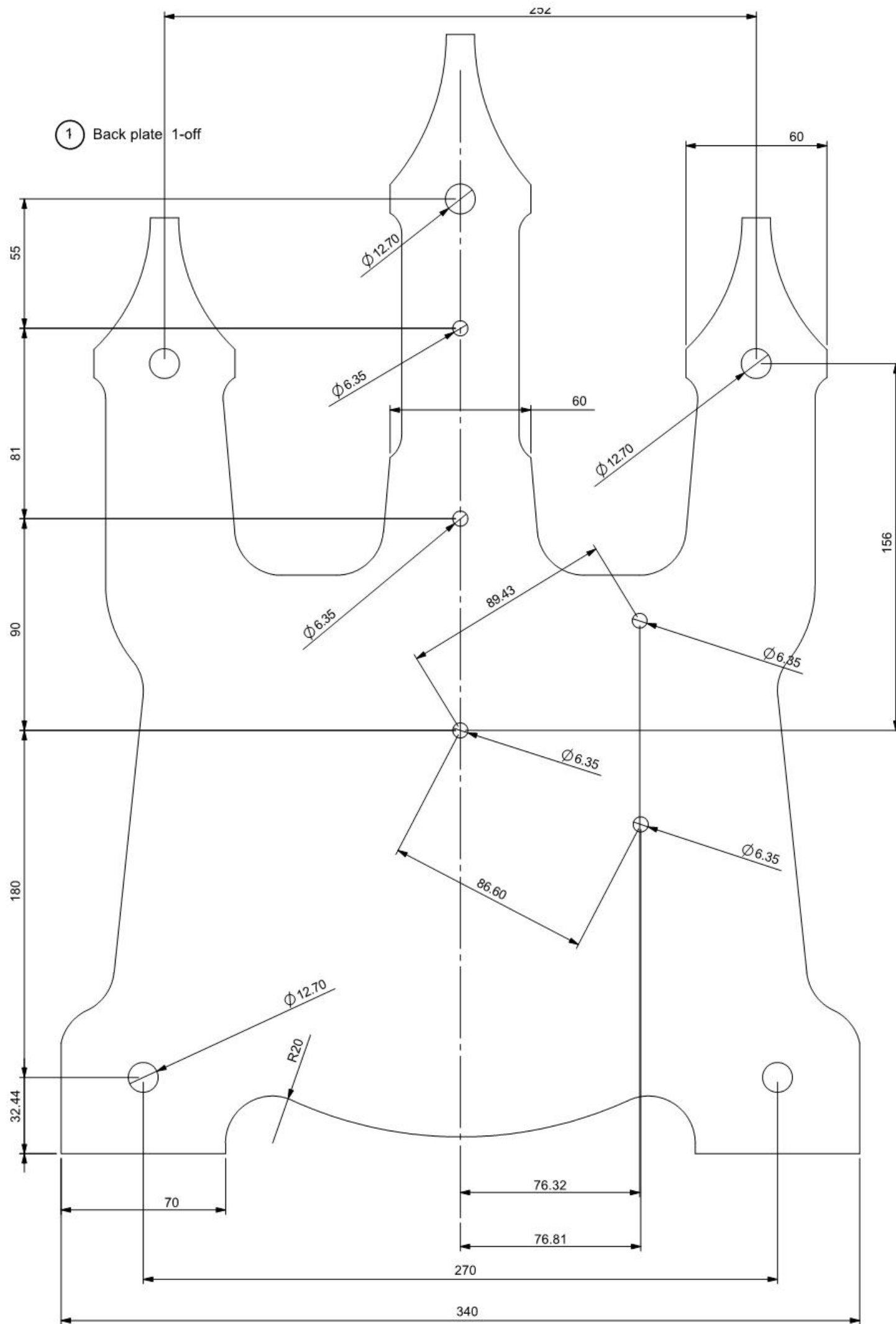
Back plate removed for clarity

SHT 2 OF 9 SHTS	<b>LAW WOODEN CLOCK 5</b>	General Assembly 2	
NTS	ALL DIMENSIONS IN MM 3rd ANGLE PROJECTION UNTOLERANCED DIMS +/- 0.5	FEB 2002	Designed by: <b>BRLAW</b> <a href="http://www.woodenclocks.co.uk">www.woodenclocks.co.uk</a>

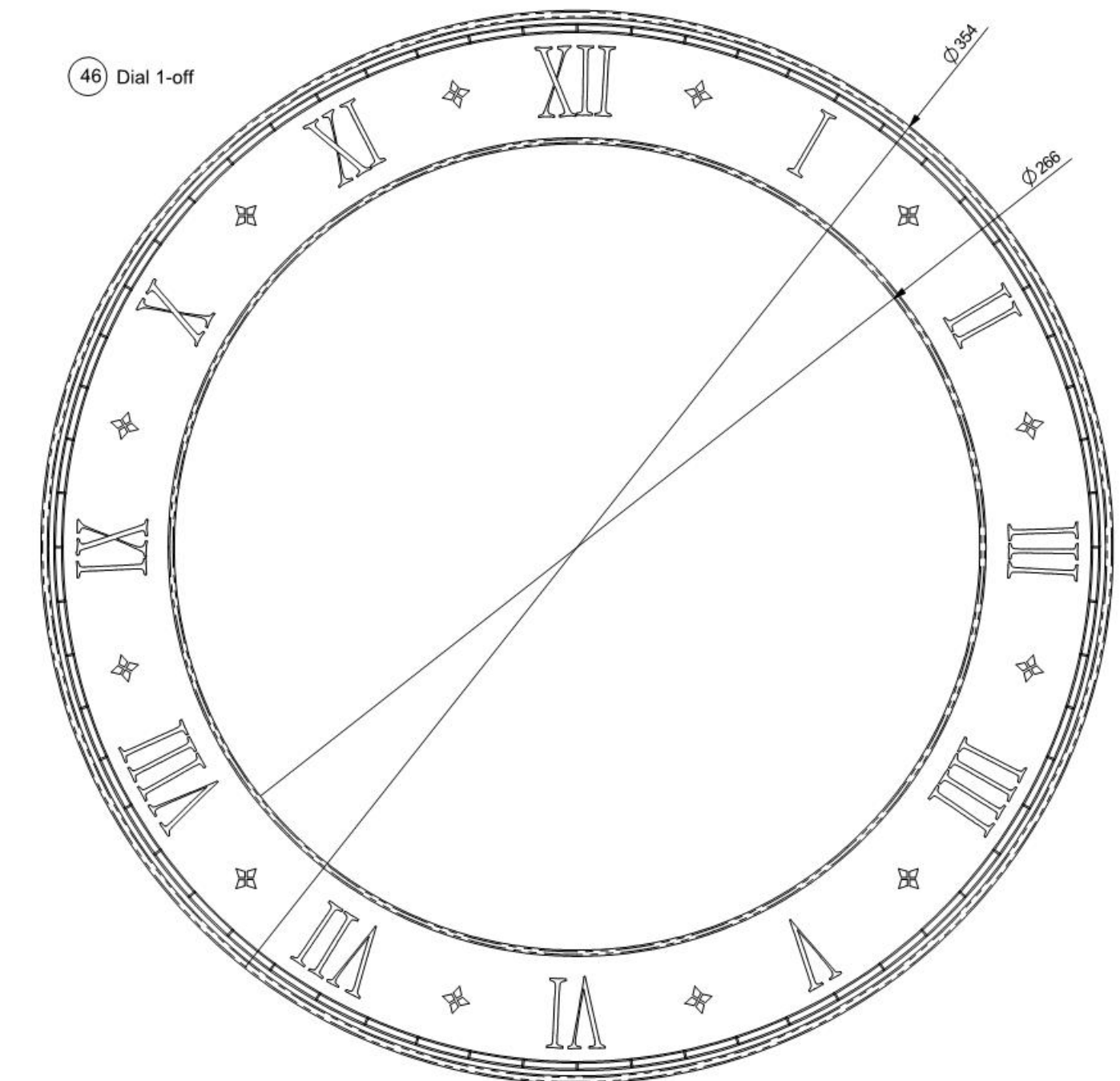


1:1.5

SHT 3 OF 9 SHTS	<b>LAW WOODEN CLOCK 5</b>	General Assembly 3	
NTS	ALL DIMENSIONS IN MM 3rd ANGLE PROJECTION UNTOLERANCED DIMS +/- 0.5	FEB 2002	Designed by: <b>BRLAW</b> www.woodenclocks.co.uk



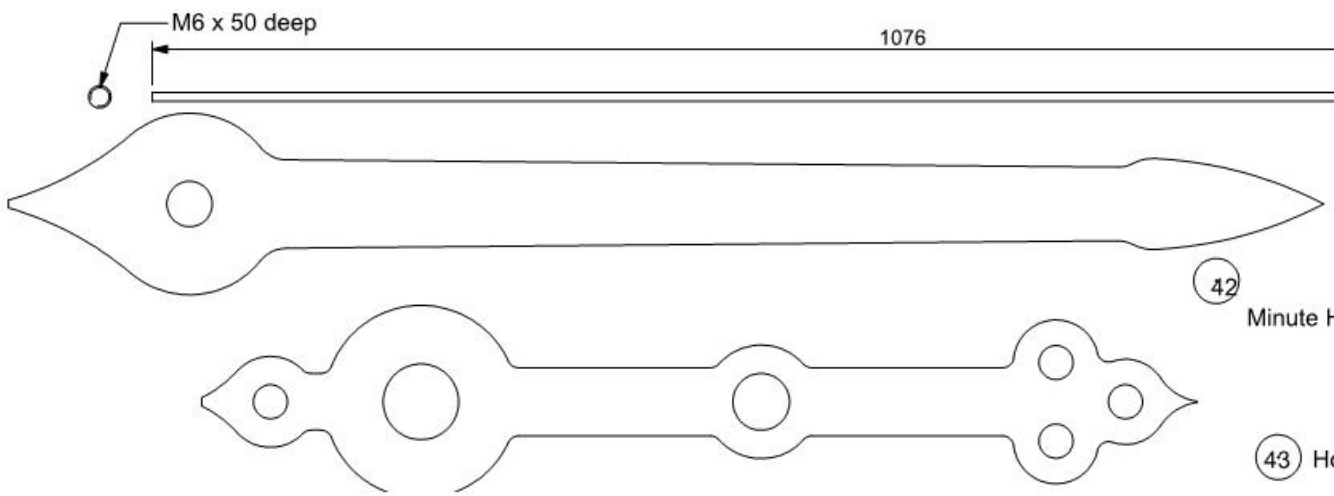
SHT 4 OF 9 SHTS	<b>LAW WOODEN CLOCK 5</b>	Frames	
1:2	ALL DIMENSIONS IN MM 3rd ANGLE PROJECTION UNTOLERANCED DIMS +/- 0.5	FEB 2002	Designed by: BRLAW www.woodenclocks.co.uk



46 Dial 1-off

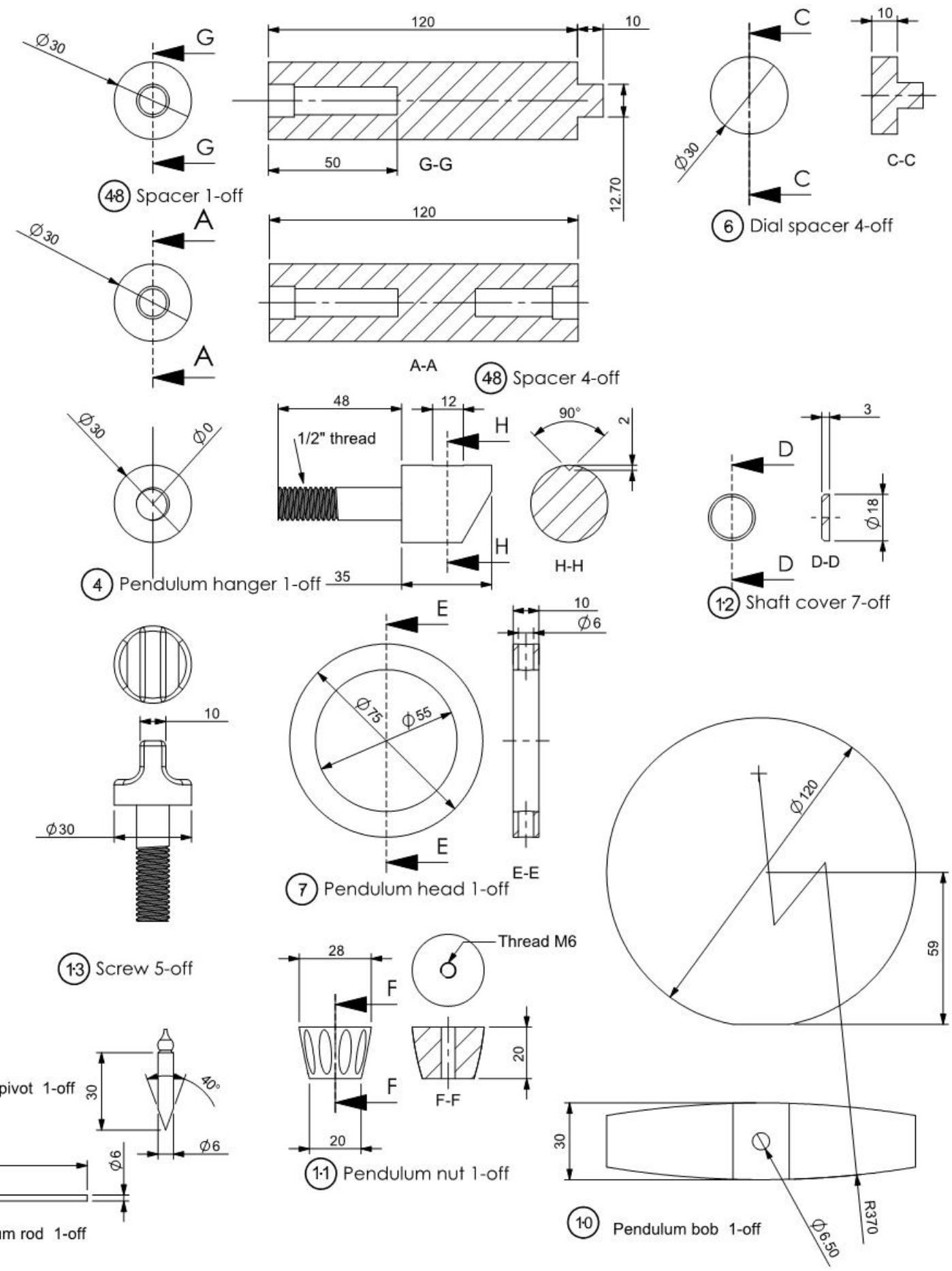


9 Pendulum rod 1-off



42 Minute Hand 1-off

43 Hour hand 1-off



48 Spacer 1-off

6 Dial spacer 4-off

4 Pendulum hanger 1-off

13 Screw 5-off

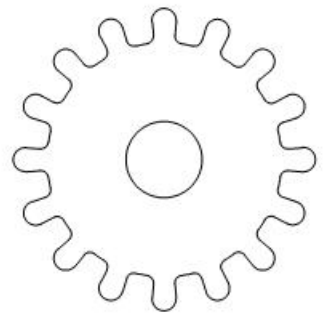
7 Pendulum head 1-off

11 Pendulum nut 1-off

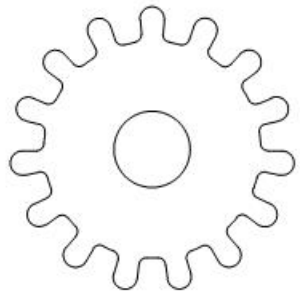
10 Pendulum bob 1-off

12 Shaft cover 7-off

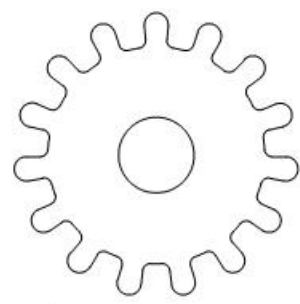
SHT 5 OF 9 SHTS	<b>LAW WOODEN CLOCK 5</b>	Frame details	
NTS	ALL DIMENSIONS IN MM 3rd ANGLE PROJECTION UNTOLERANCED DIMS +/- 0.5	FEB 2002	Designed by: BRLAW www.woodenclocks.co.uk



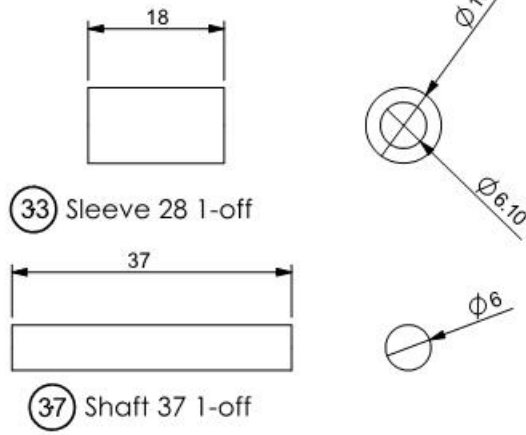
23 Gear 16 teeth 1-off



40 Gear 15 teeth 1-off

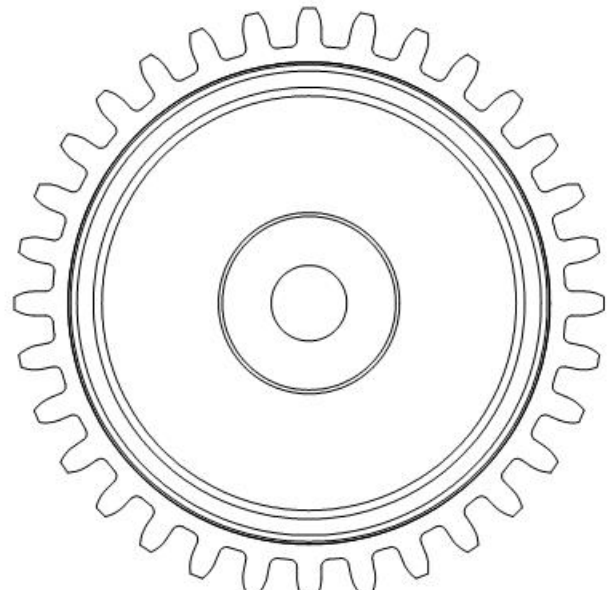


40 Gear 15 teeth 1-off

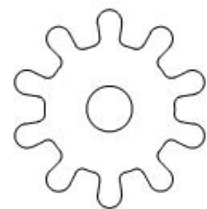


33 Sleeve 28 1-off

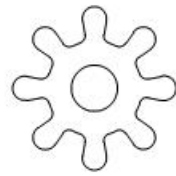
37 Shaft 37 1-off



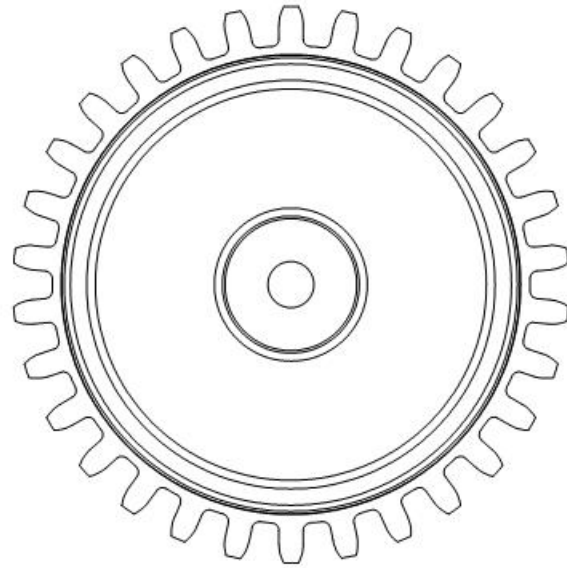
31 Gear 32 teeth 1-off



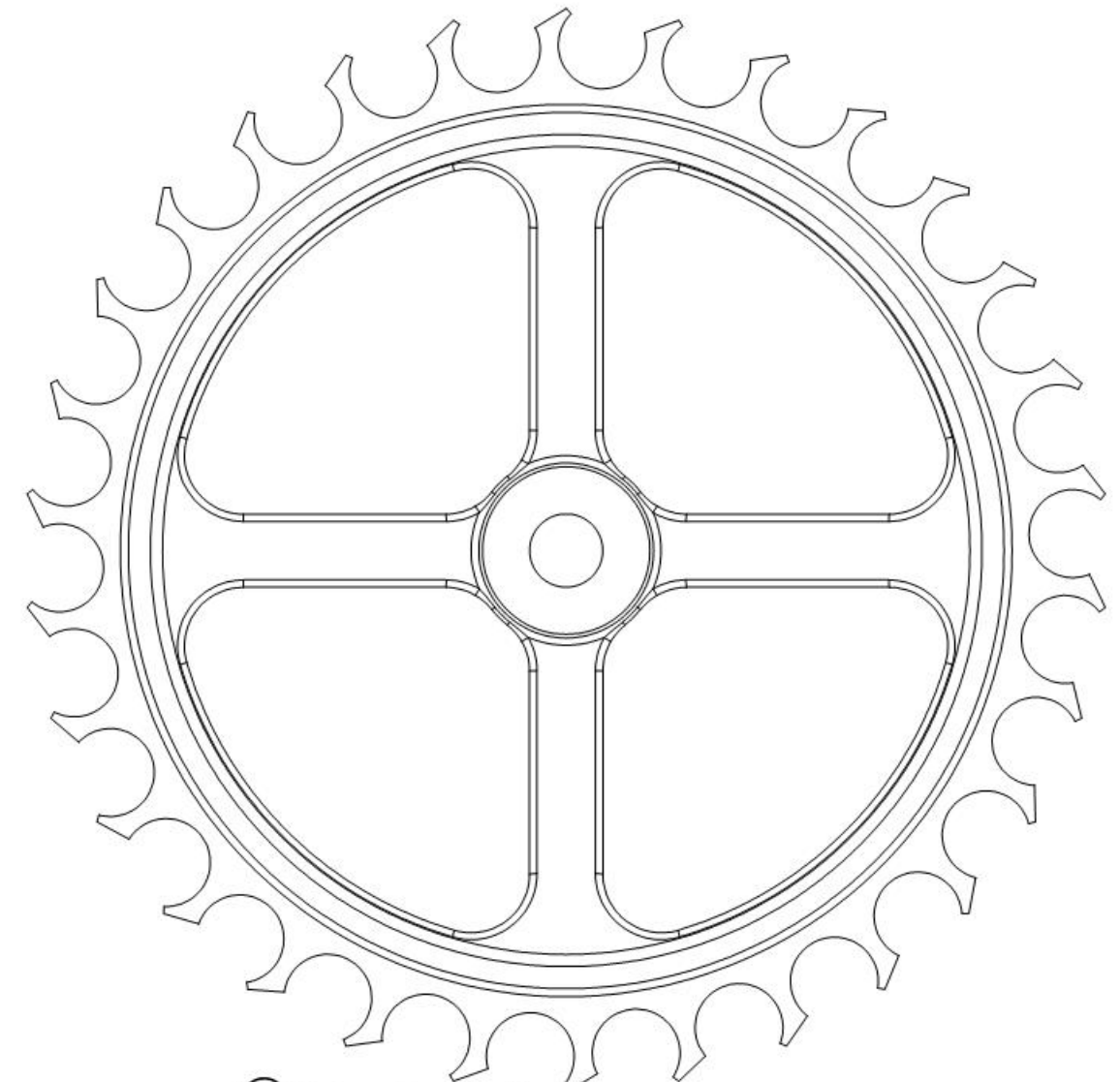
32 Gear 10 teeth 1-off



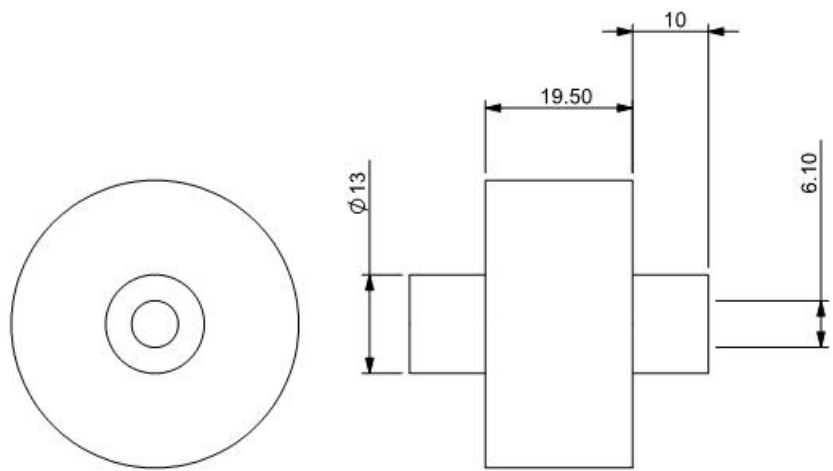
38 Gear 8 teeth 1-off



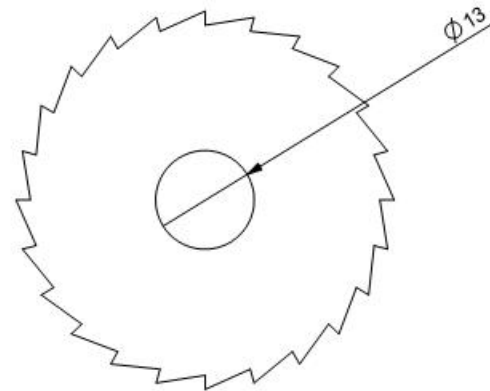
39 Gear 30 teeth 1-off



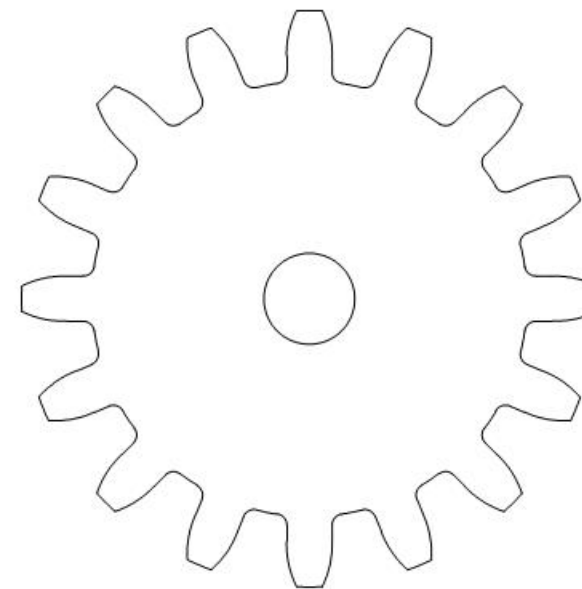
20 Timing wheel 1-off



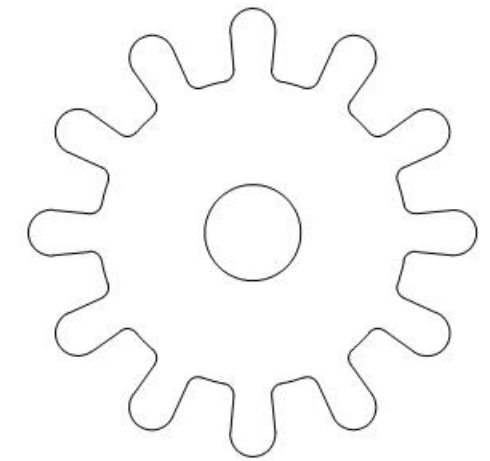
27 Drum 1-off



28 Ratchet 1-off

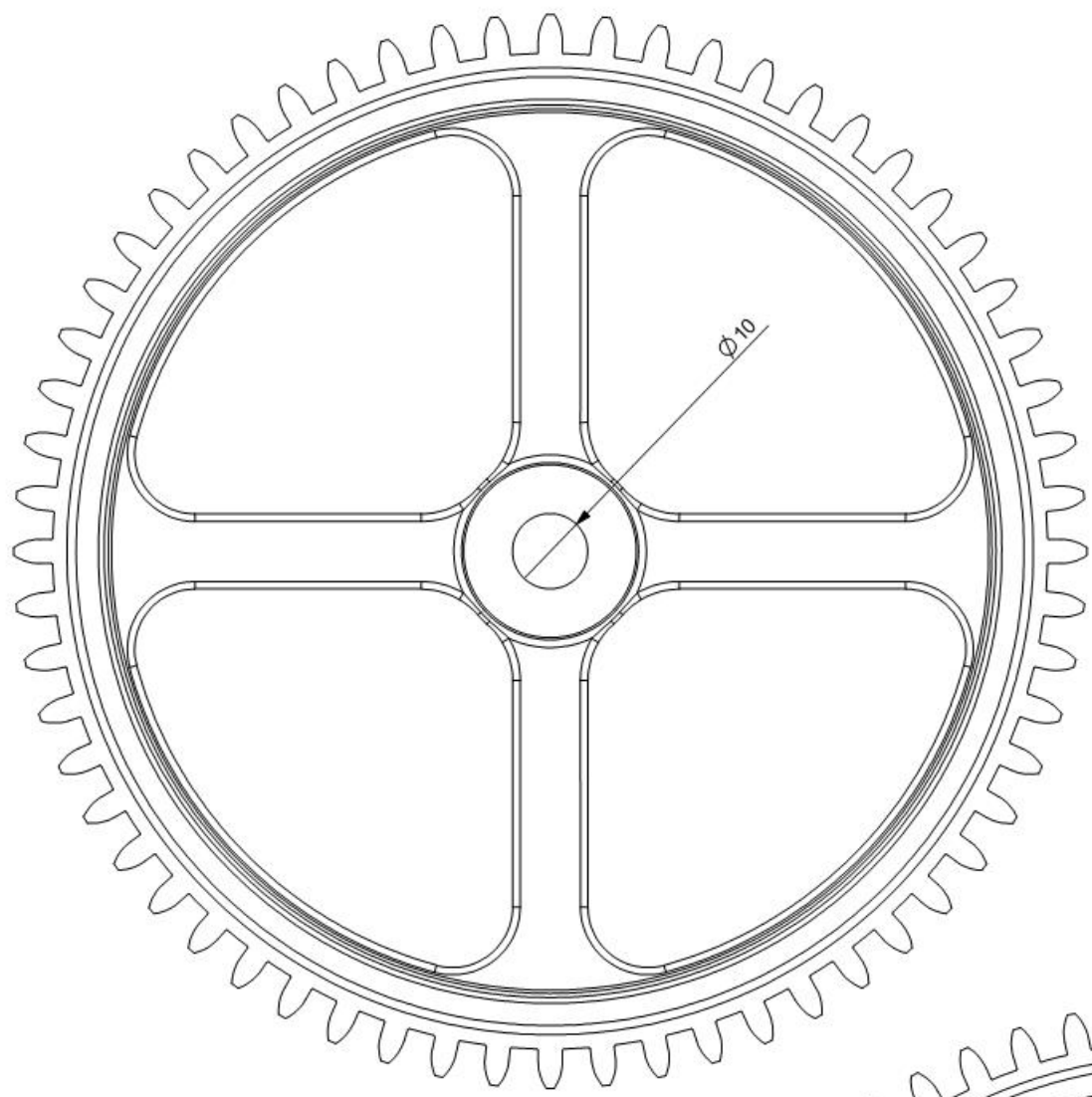


36 Gear 16 teeth DP61-off

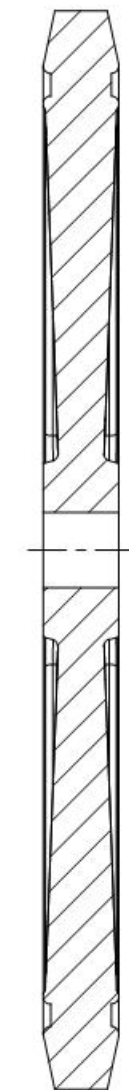
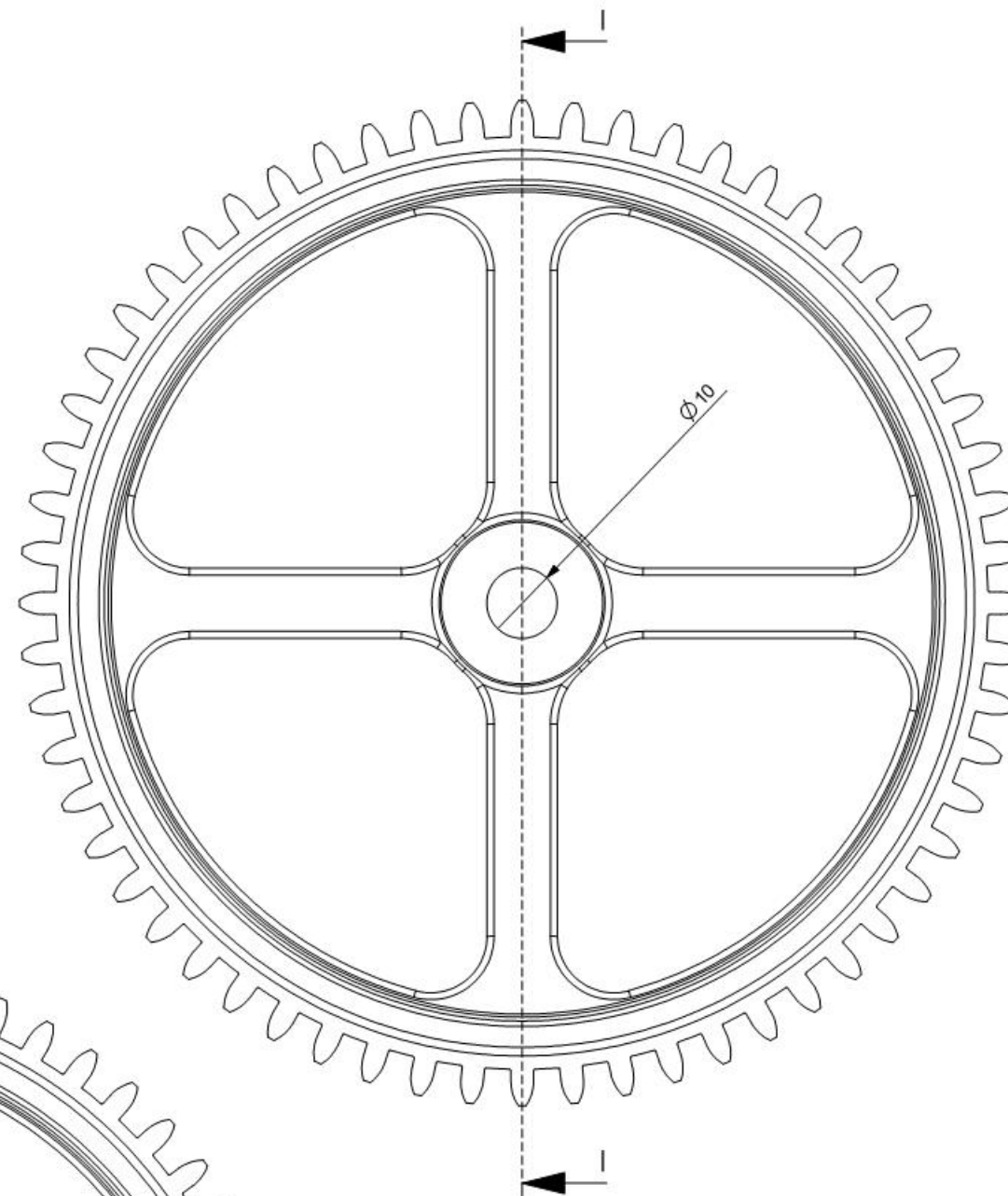


44 Gear 12 teeth 1-off

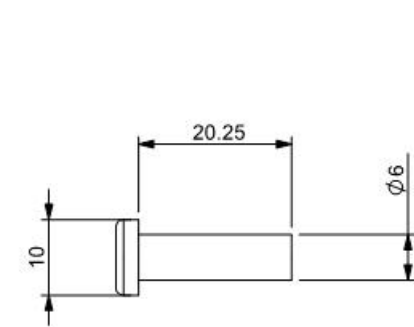
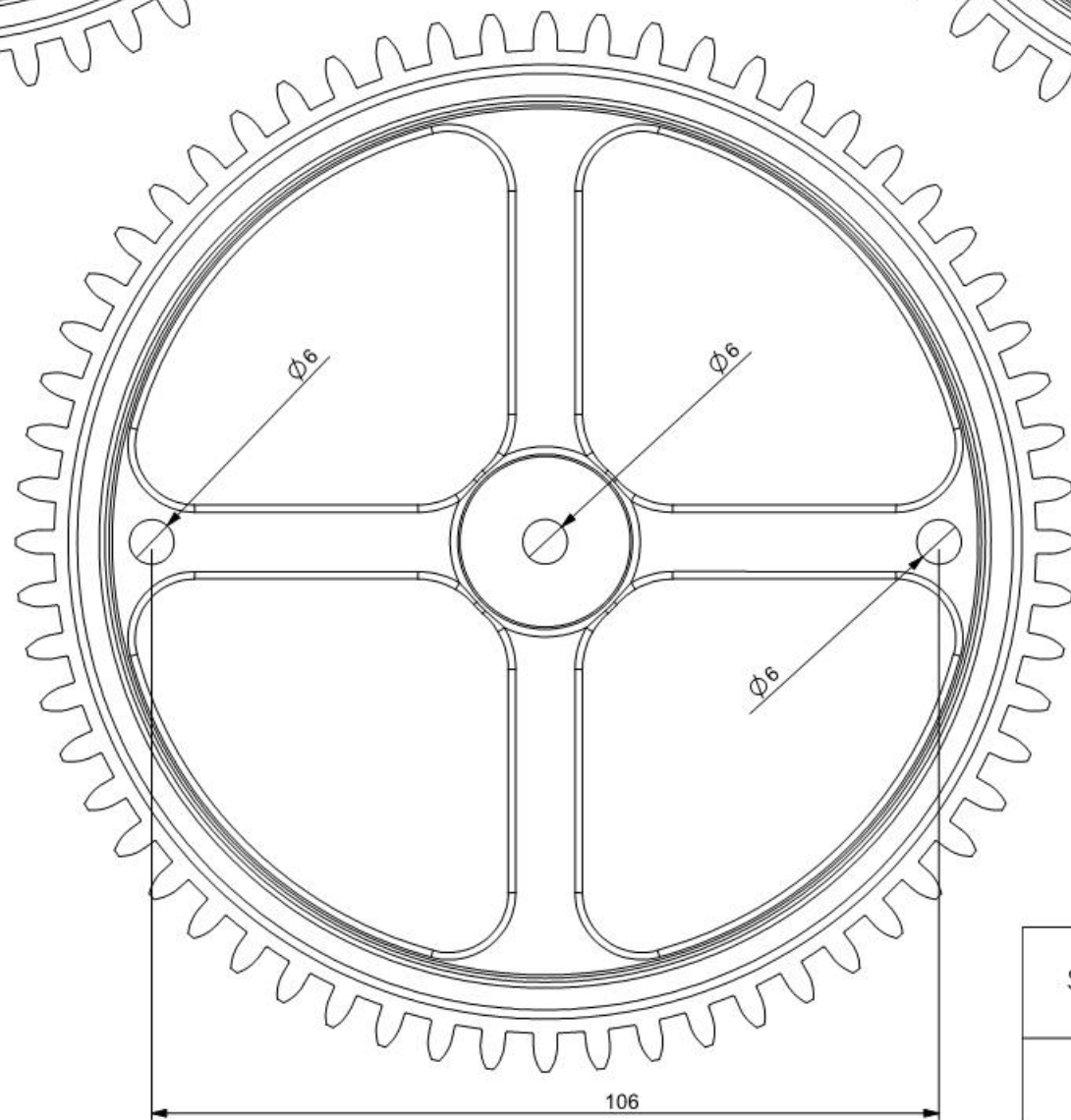
SHT 6 OF 9 SHTS	<b>LAW WOODEN CLOCK 5</b>	Gears 1	
NTS	ALL DIMENSIONS IN MM 3rd ANGLE PROJECTION UNTOLERANCED DIMS +/- 0.5	FEB 2002	Designed by: BRLAW www.woodenclocks.co.uk



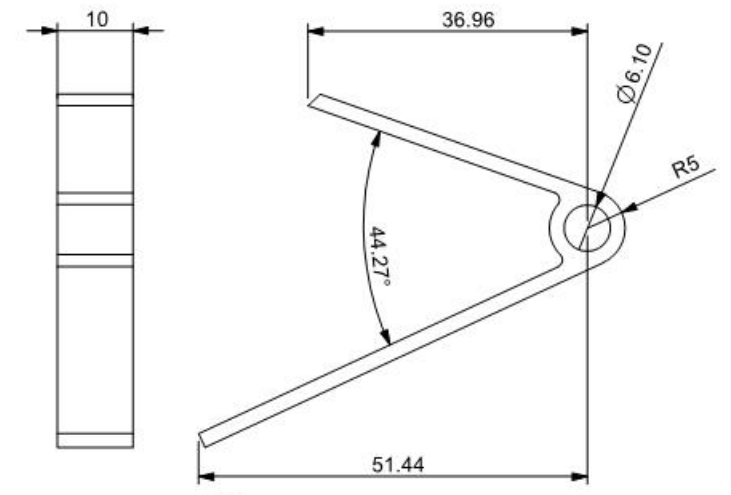
29 Gear 60 teeth 3-off



I-I

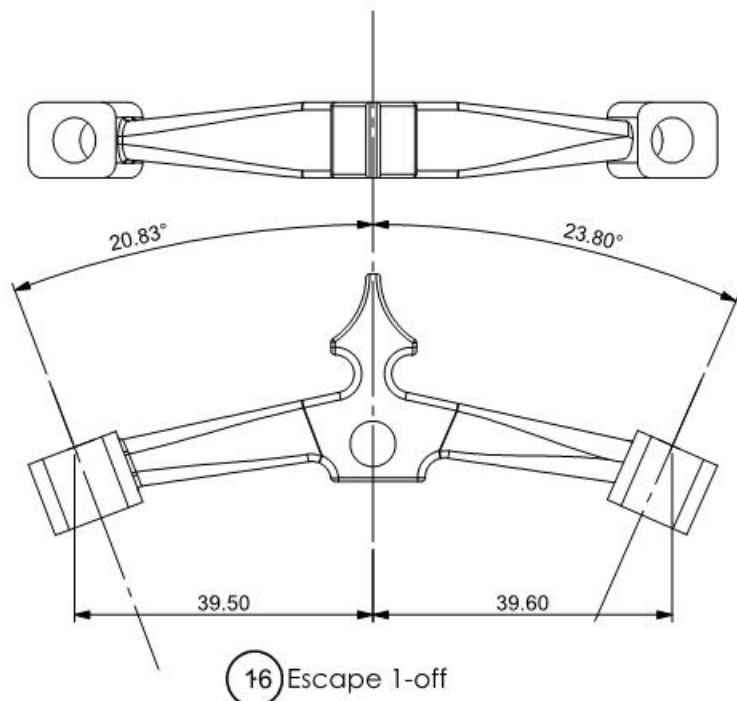


30 Pawl pin 2-off

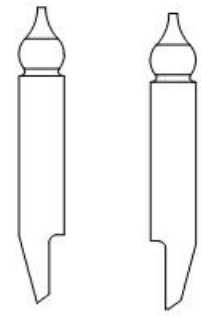


25 Pawl 2-off

SHT 7 OF 9 SHTS	<b>LAW WOODEN CLOCK 5</b>	Gears 2	
NTS	ALL DIMENSIONS IN MM 3rd ANGLE PROJECTION UNTOLERANCED DIMS +/- 0.5	FEB 2002	Designed by: BRLAW www.woodenclocks.co.uk

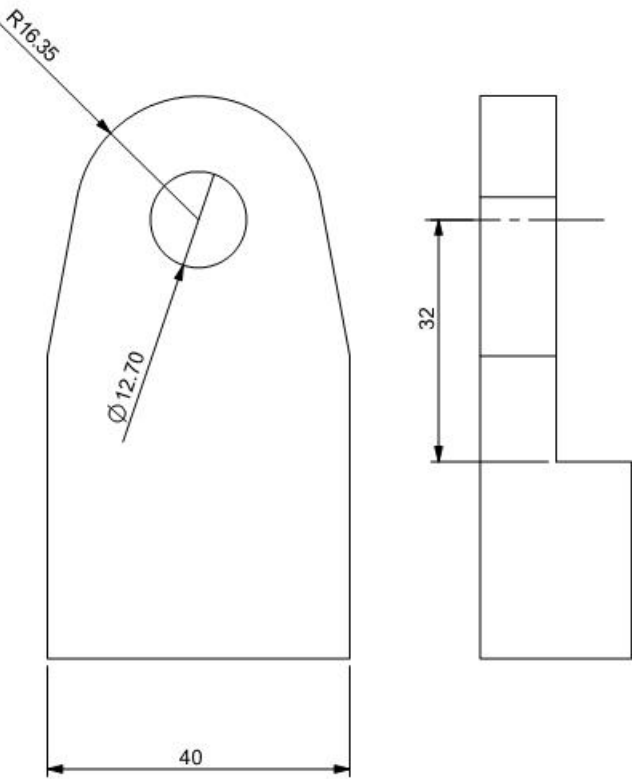


16 Escape 1-off

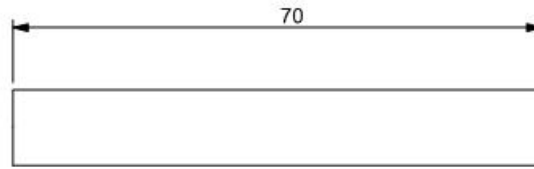
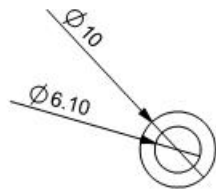


17 Pallet 2 1-off

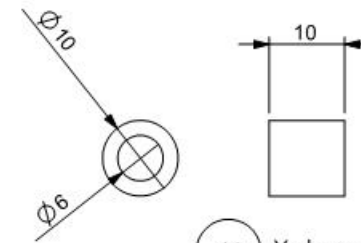
18 Pallet 1 1-off



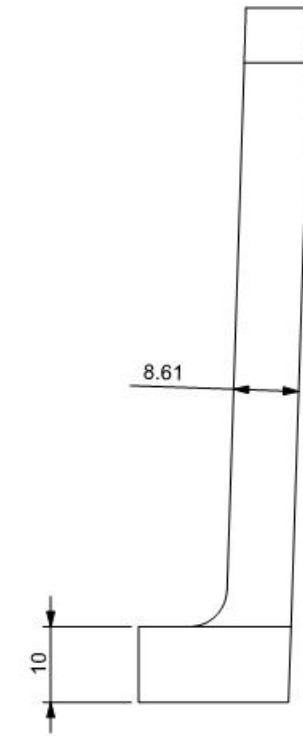
45 Winder support 1-off



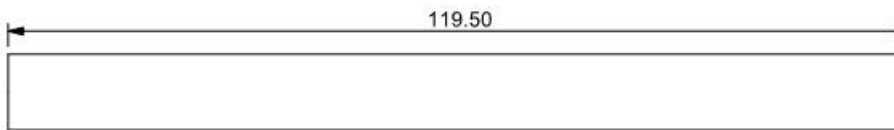
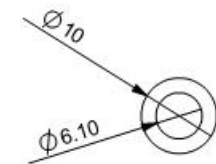
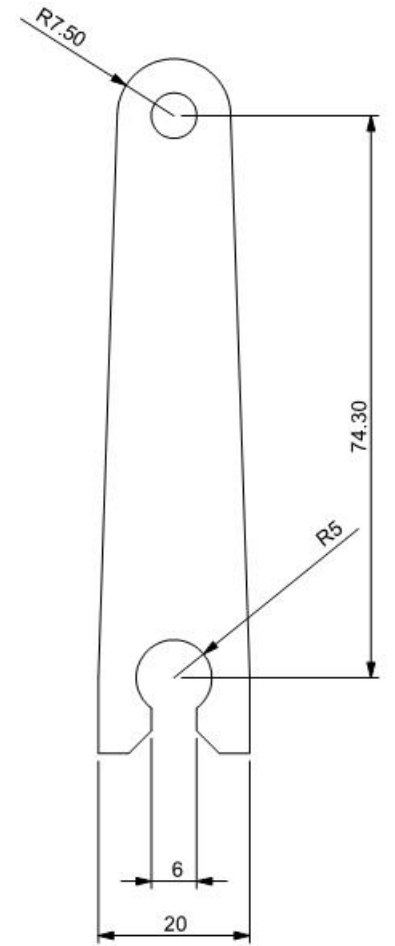
26 Sleeve 70 1-off



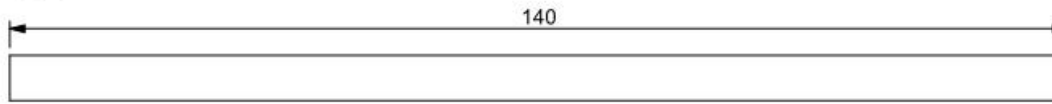
19 Yoke spacer 1-off



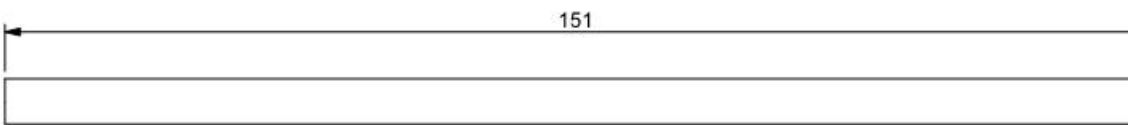
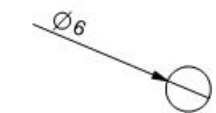
15 Yoke 1-off



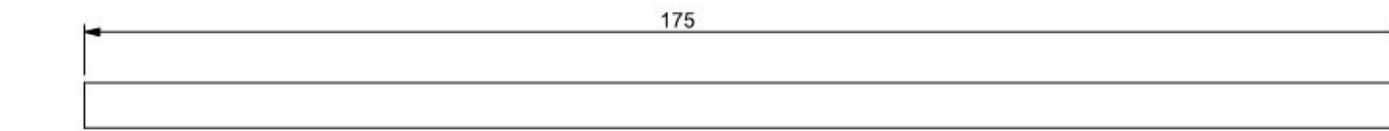
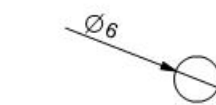
22 Sleeve 119 3-off



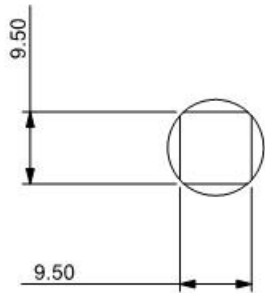
21 Shaft 140 3-off



14 Shaft 151 1-off



24 Shaft 185 1-off



41 Key shaft 1-off

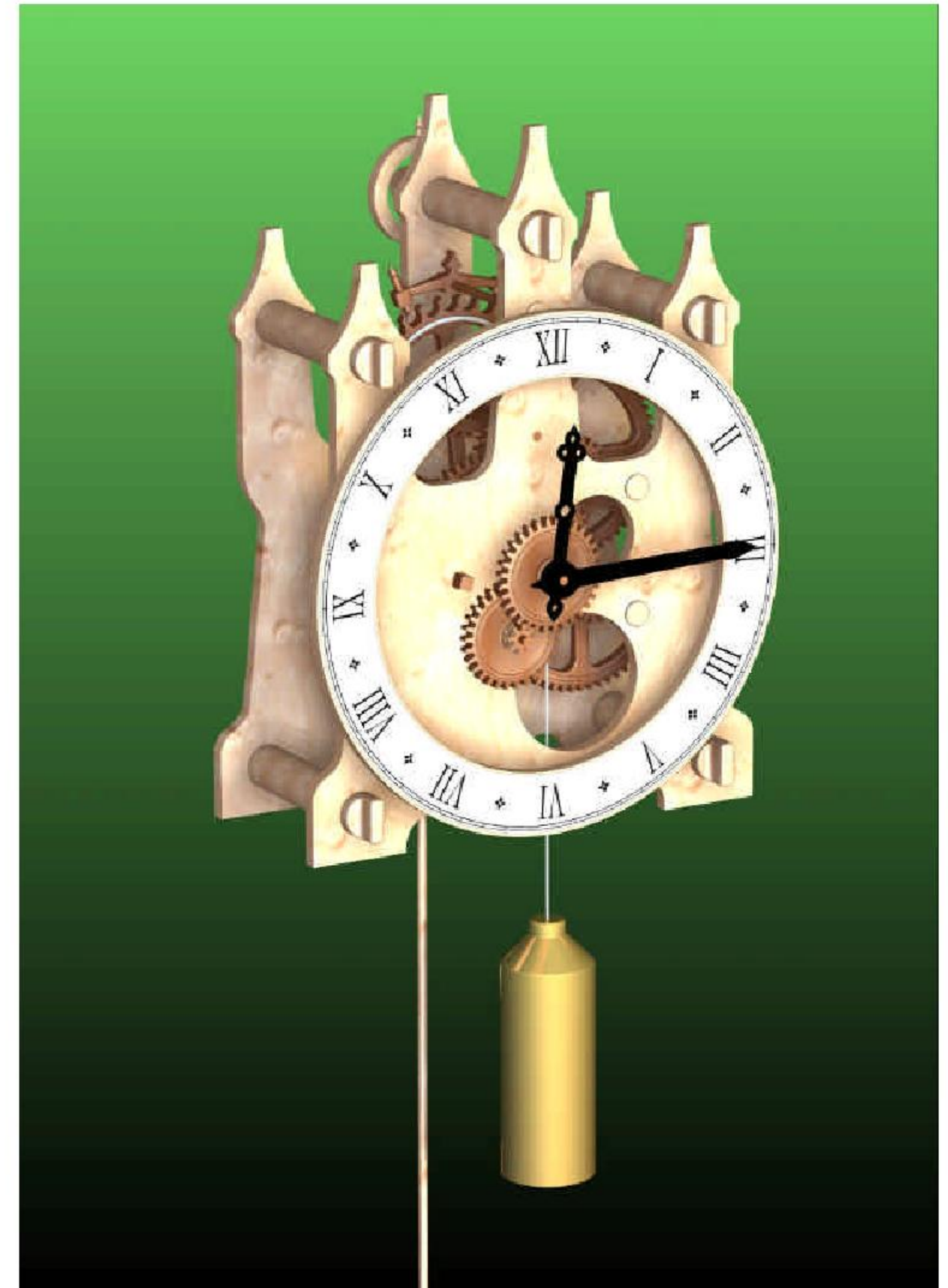
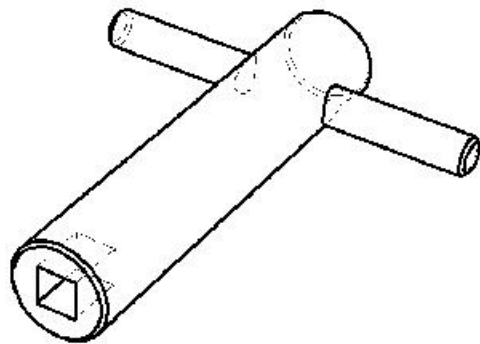
SHT 8 OF 9 SHTS	<b>LAW WOODEN CLOCK 5</b>	Details	
NTS	ALL DIMENSIONS IN MM 3rd ANGLE PROJECTION UNTOLERANCED DIMS +/- 0.5	FEB 2002	Designed by: BRLAW www.woodenclocks.co.uk



## Woodenclock Clock 5

### Notes

- ?? Use close-grained timber such as Beech planed down to a thickness of 10 mm for all components unless otherwise stated.
- ?? All shafts for spindles should be made from 6 mm diameter bar.
- ?? Any suitable material can be used for the weight. The mass of the weight will need to be established by experiment, but a good starting point would be 6 lbs.
- ?? Details of the dial numerals are shown for guidance only, the actual form of the numerals is left to your own discretion.. They can be applied by painting or as relief numerals cut from thin sheet.
- ?? The hands are again given for guidance only, although in this instance they are drawn to size so that you can copy these if you wish. They should in any event be cut from thin sheet.
- ?? Where the components are drawn to 1:1 scale you can attach the drawing to the timber using a low tack adhesive, and cut around the profiles. Great care should be taken with this approach when cutting the gear teeth because they need to be cut very accurately to avoid problems when assembling the clock.
- ?? The frame is held together using 5 threaded screws into spacers (3)glued into the back plate. Alternatively pins fitted into holes cross drilled after assembly can be used.
- ?? Care should be taken to adjust the pallets (17 & 18) relative to the timing wheel. They should operate to allow the timing wheel to move incrementally forward when swinging through a small arc of movement of the pendulum. (<math><10^\circ</math>).
- ?? The pitch of the gears is controlled by the drilling of the hole centres in the front and back frames. It may help to delay the drilling of these holes in the frames until after the gears are first cut and then finished to size. At this point it would help to mount them on two separate pieces of wood and test there free movement one to the other and measure the centre distance between them, so that the hole centres can be drilled at this dimension rather than the theoretical dimension on the drawing.
- ?? The winder used is not drawn on the plans but a simple 'T' bar with a square hole in the end to engage over the end of the square end of the shaft holding the winding gears.



SHT 9 OF 9 SHTS	<b>LAW WOODEN CLOCK 5</b>	Instructions	
NTS	ALL DIMENSIONS IN MM 3rd ANGLE PROJECTION UNTOLERANCED DIMS +/- 0.5	FEB 2002	Designed by: BRLAW <a href="http://www.woodenclocks.co.uk">www.woodenclocks.co.uk</a>