

| ITEM | QTY | PART NO. | DESCRIPTION |
|------|-----|-------------------|-------------|
| 1 | 1 | Back | |
| 2 | 1 | Front | |
| 3 | 3 | Spacer top | |
| 4 | 1 | Pendulum hanger | |
| 5 | 1 | Clock dial | 6mm Perspex |
| 6 | 2 | Dial spacer | |
| 7 | 1 | Pendulum head | |
| 8 | 1 | Pendulum pivot | |
| 9 | 1 | Pendulum rod | |
| 10 | 1 | Pendulum bob | |
| 11 | 1 | Pendulum nut | |
| 12 | 7 | Shaft cover | |
| 13 | 3 | Screw | |
| 14 | 1 | Shaft 151 | Steel |
| 15 | 1 | Yoke | |
| 16 | 1 | Escape | |
| 17 | 1 | Pallet 2 | |
| 18 | 1 | Pallet 1 | |
| 19 | 1 | Yoke spacer | |
| 20 | 1 | Timing wheel | |
| 21 | 3 | Shaft 140 | Steel |
| 22 | 3 | Sleeve 119 | |
| 23 | 1 | Gear 16 teeth | |
| 24 | 1 | Shaft185 | Steel |
| 25 | 2 | Pawl | |
| 26 | 1 | Sleeve 70 | |
| 27 | 1 | Drum | |
| 28 | 1 | Ratchet | |
| 29 | 3 | Gear 60 teeth | |
| 30 | 2 | Pawl pin | |
| 31 | 1 | Gear 32 teeth | |
| 32 | 1 | Gear 10 teeth | |
| 33 | 1 | Sleeve 18 | |
| 34 | 1 | Rope | |
| 35 | 1 | Weight | |
| 36 | 1 | Gear 16 teeth DP6 | |
| 37 | 1 | Shaft 30 | Steel |
| 38 | 1 | Gear 8 teeth | |
| 39 | 1 | Gear 30teeth | |
| 40 | 2 | Gear 15 teeth | |
| 41 | 1 | Key shaft | |
| 42 | 1 | Minute hand | |
| 43 | 1 | Hour hand | |
| 44 | 1 | Gear 12teeth DP6 | |
| 45 | 1 | Winder support | |

Dial removed for clarity

OF 8 SHTS

LAW WOODEN CLOCK 2

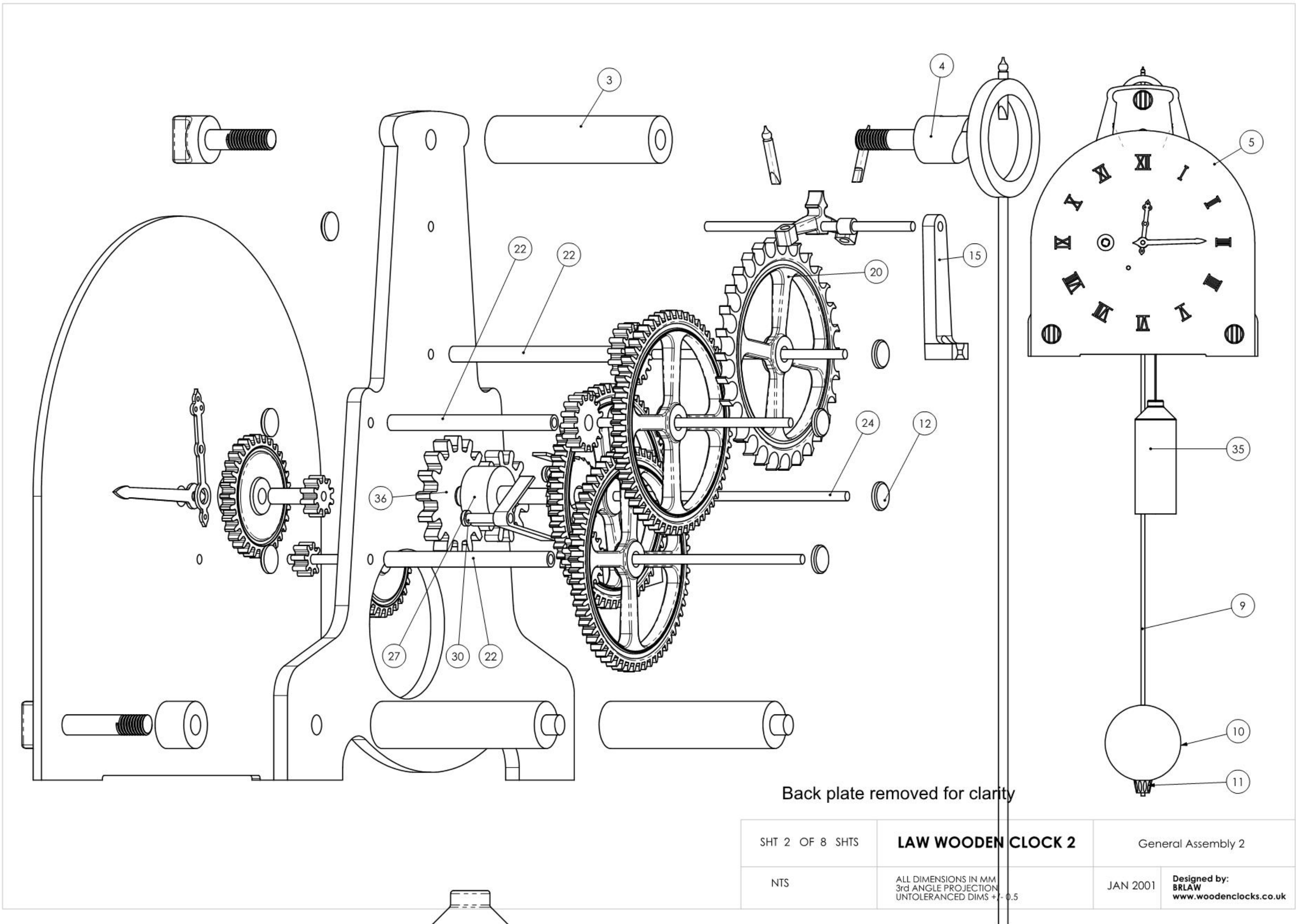
General Assembly 1

NTS

ALL DIMENSIONS IN MM
3rd ANGLE PROJECTION
UNTOLERANCED DIMS +/- 0.5

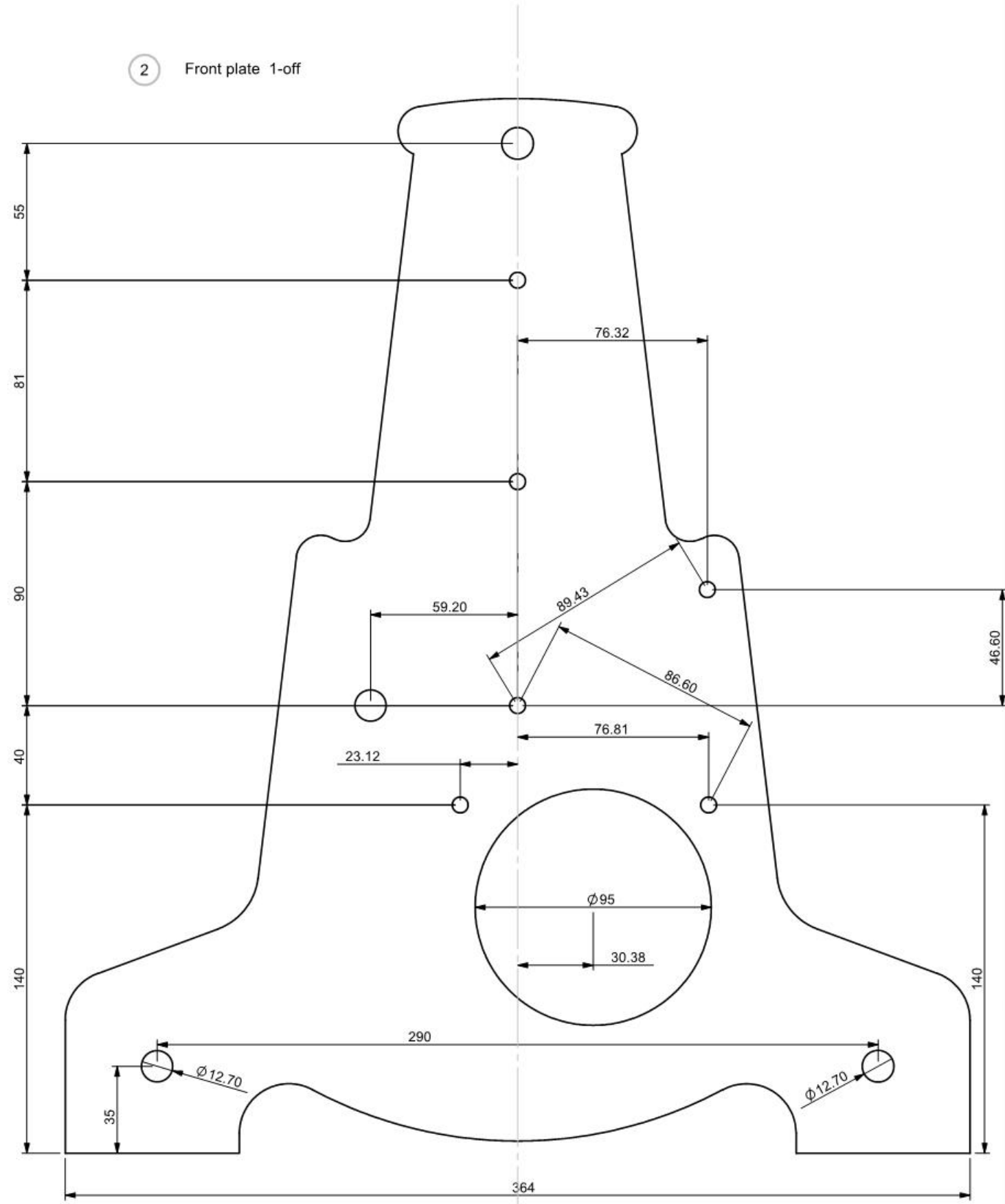
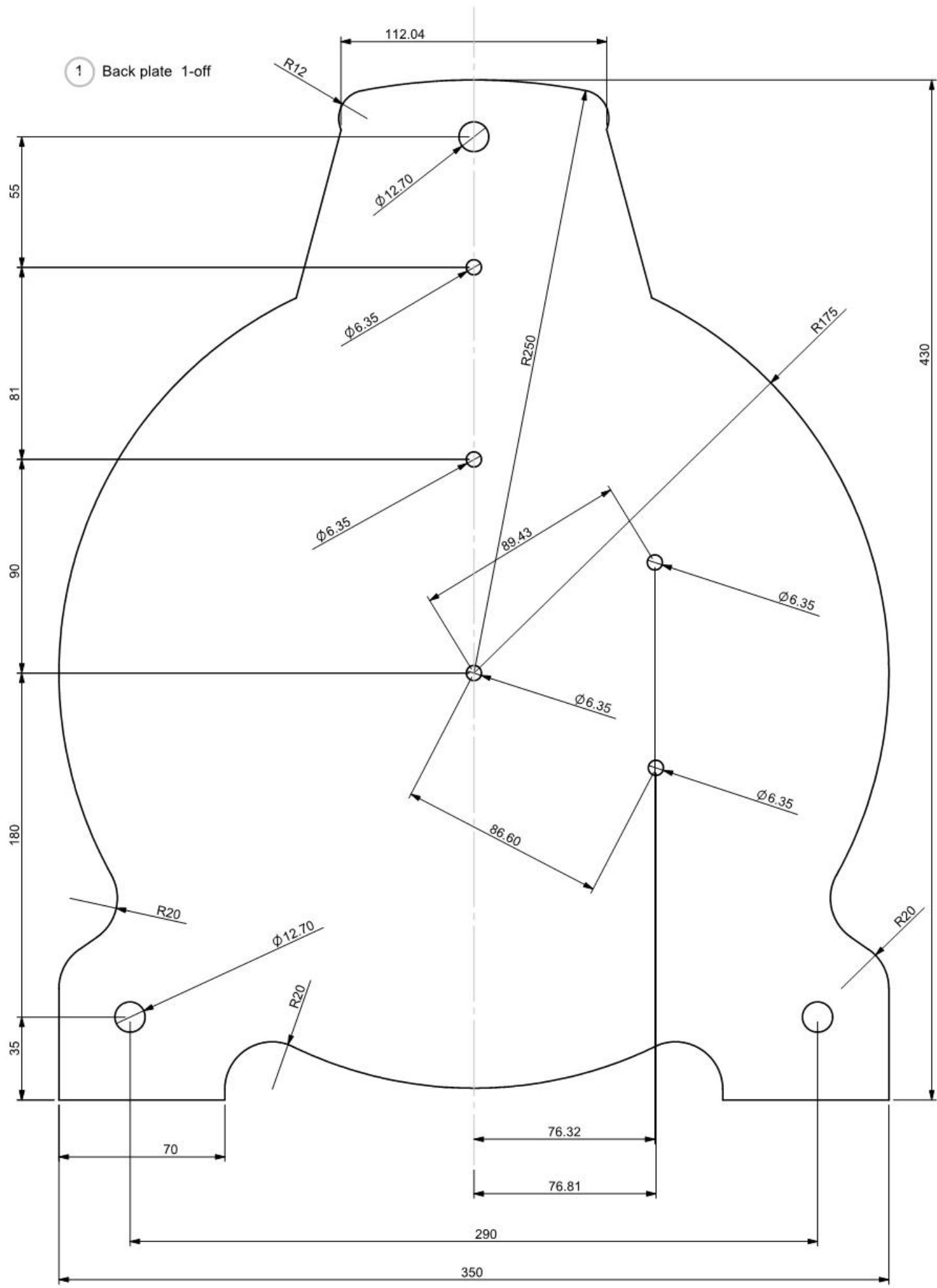
JAN 2001

Designed by:
BRLAW
www.woodenclocks.co.uk



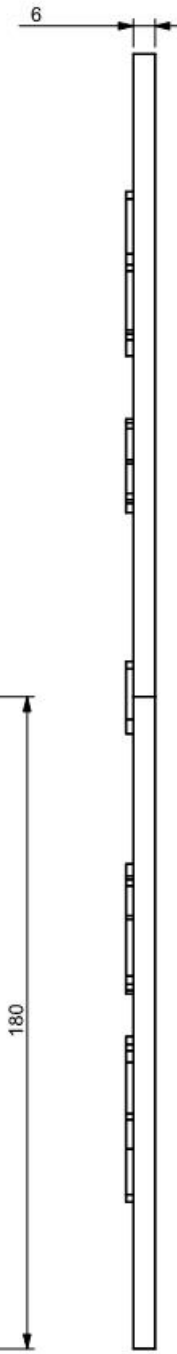
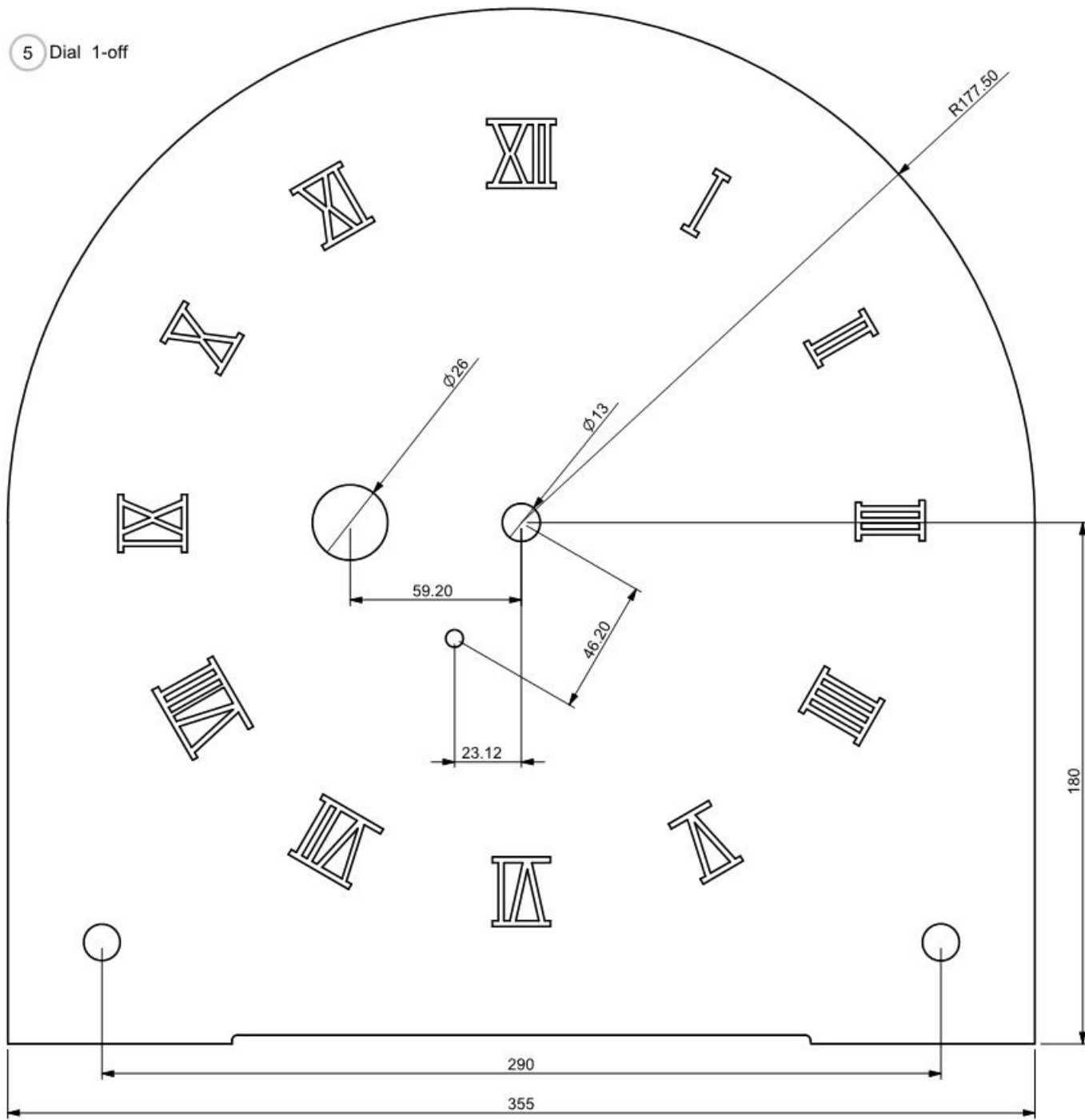
Back plate removed for clarity

| | | | |
|-----------------|---|--------------------|---|
| SHT 2 OF 8 SHTS | LAW WOODEN CLOCK 2 | General Assembly 2 | |
| NTS | ALL DIMENSIONS IN MM 3rd ANGLE PROJECTION UNTOLERANCED DIMS +/- 0.5 | JAN 2001 | Designed by: BRLAW www.woodenclocks.co.uk |

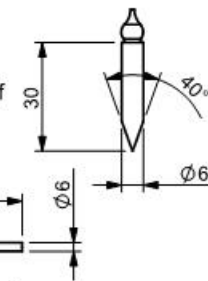


| | | | |
|-----------------|---|----------|---|
| SHT 3 OF 8 SHTS | LAW WOODEN CLOCK 2 | Frames | |
| NTS | ALL DIMENSIONS IN MM 3rd ANGLE PROJECTION UNTOLERANCED DIMS +/- 0.5 | JAN 2001 | Designed by: BRLAW www.woodenclocks.co.uk |

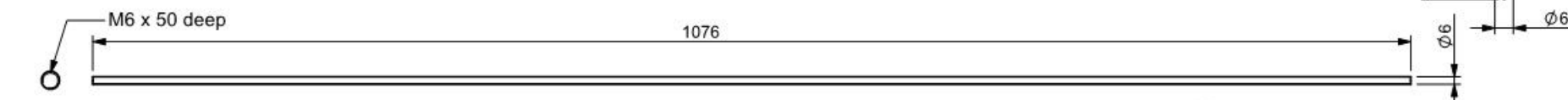
5 Dial 1-off



8 Pendulum pivot 1-off

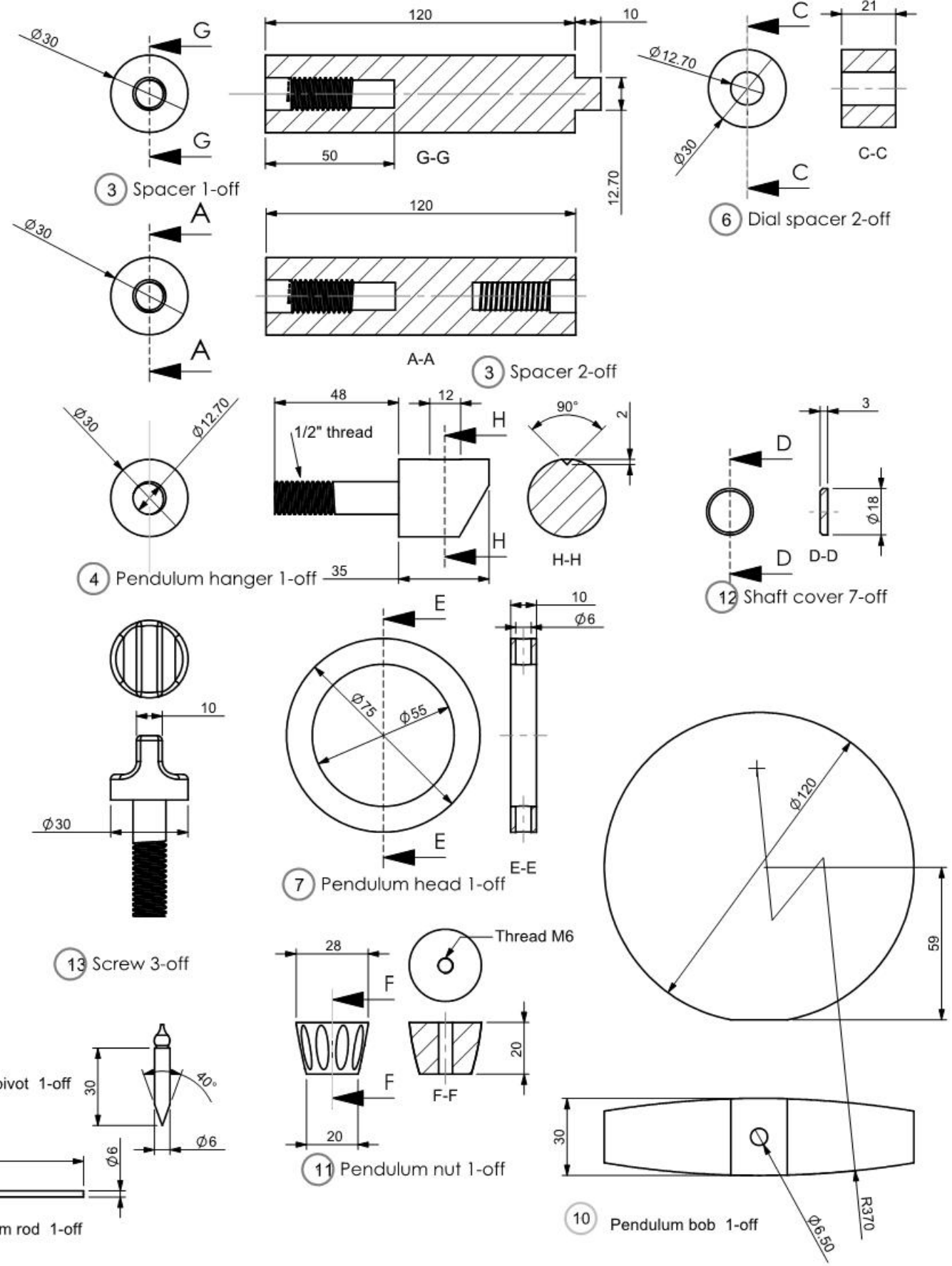


9 Pendulum rod 1-off

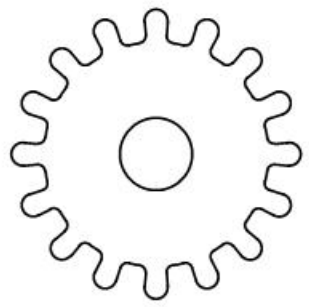


42 Minute Hand 1-off

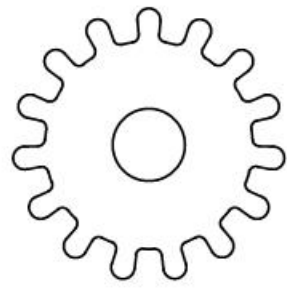
43 Hour hand 1-off



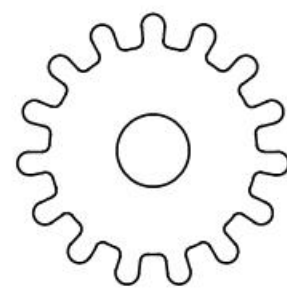
| | | | |
|-----------------|---|---------------|---|
| SHT 4 OF 8 SHTS | LAW WOODEN CLOCK 2 | Frame details | |
| NTS | ALL DIMENSIONS IN MM 3rd ANGLE PROJECTION UNTOLERANCED DIMS +/- 0.5 | JAN 2001 | Designed by: BRLAW www.woodenclocks.co.uk |



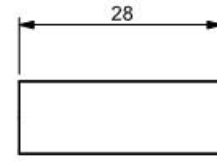
23 Gear 16 teeth 1-off



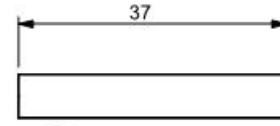
40 Gear 15 teeth 1-off



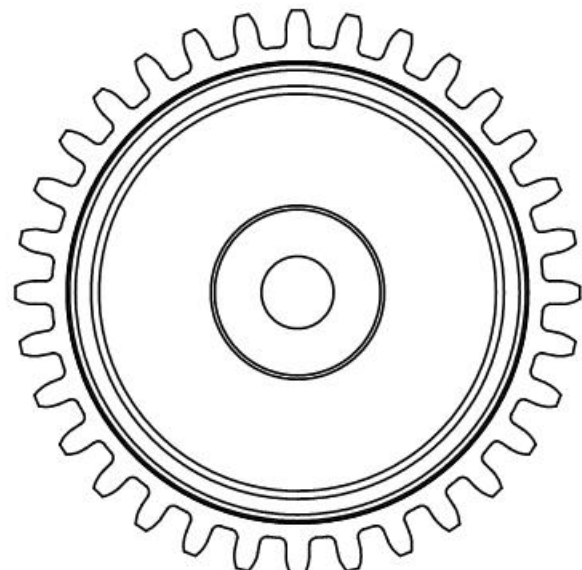
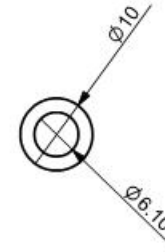
40 Gear 15 teeth 1-off



33 Sleeve 28 1-off



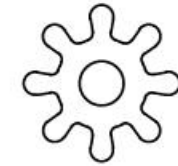
37 Shaft 37 1-off



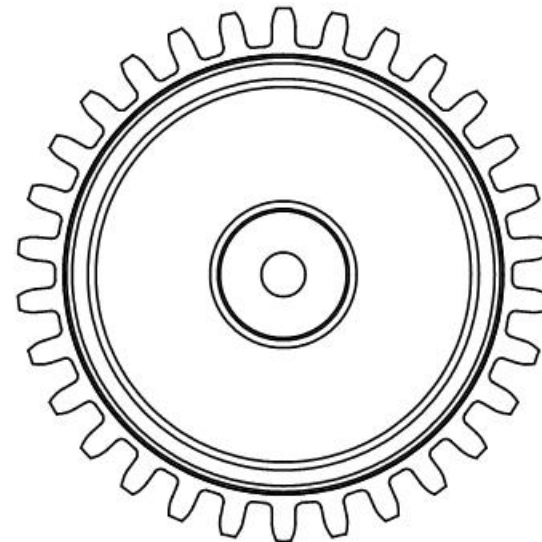
31 Gear 32 teeth 1-off



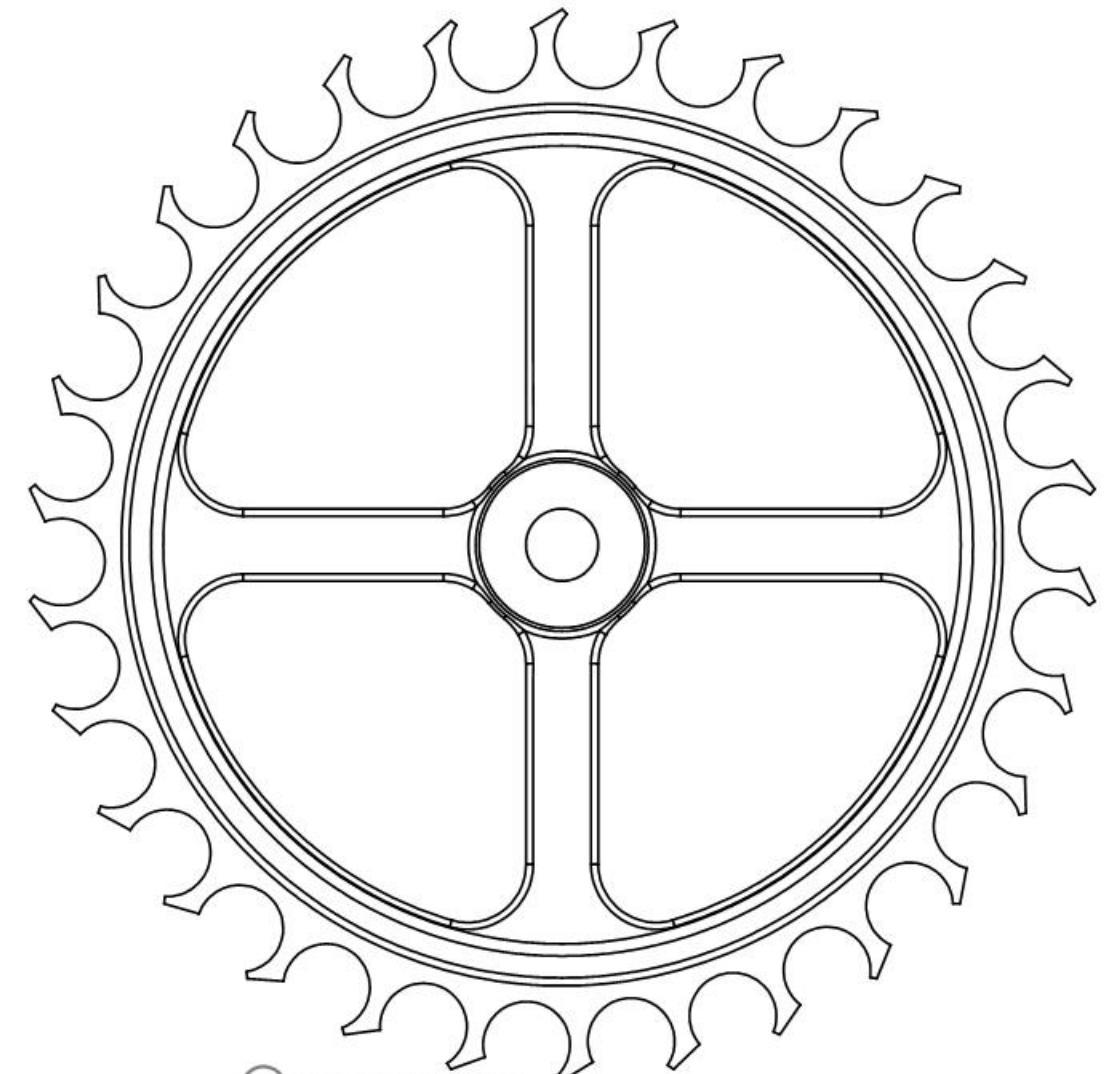
31 Gear 10 teeth 1-off



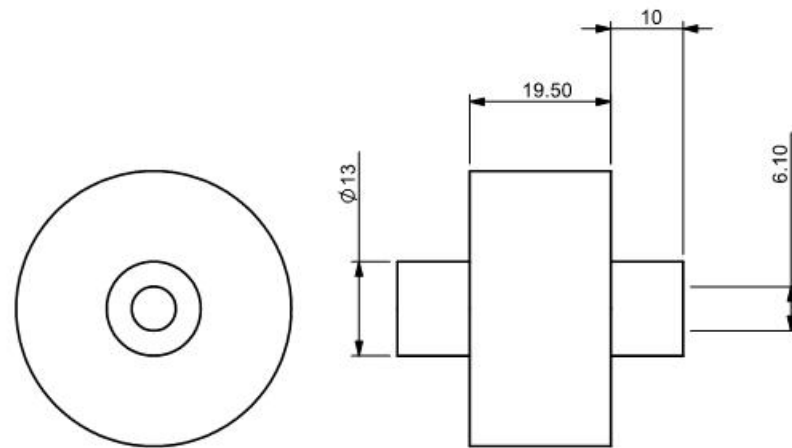
38 Gear 8 teeth 1-off



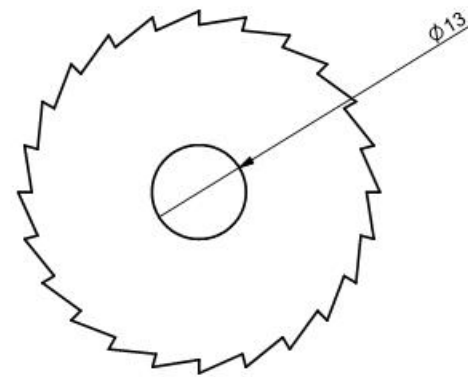
39 Gear 30 teeth 1-off



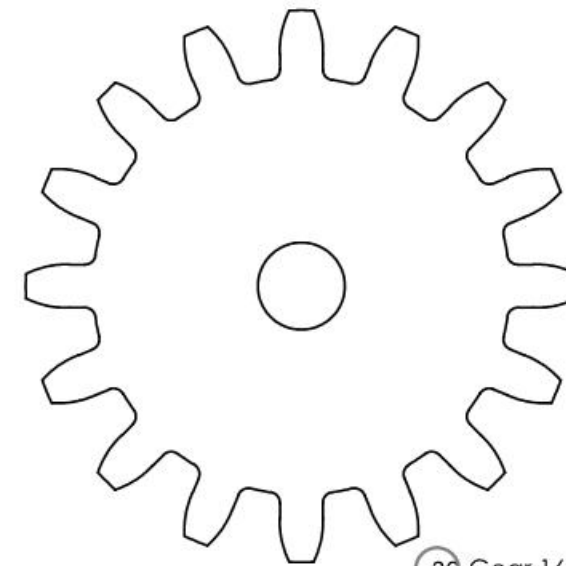
20 Timing wheel 1-off



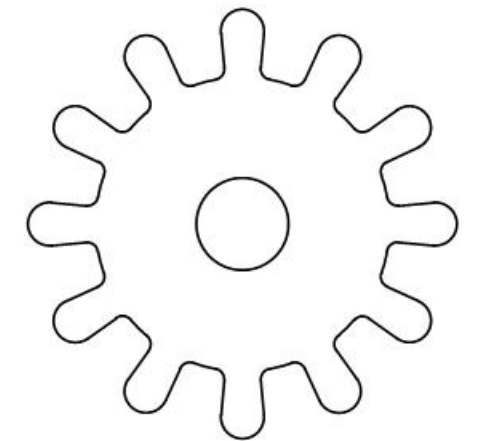
27 Drum 1-off



28 Ratchet 1-off

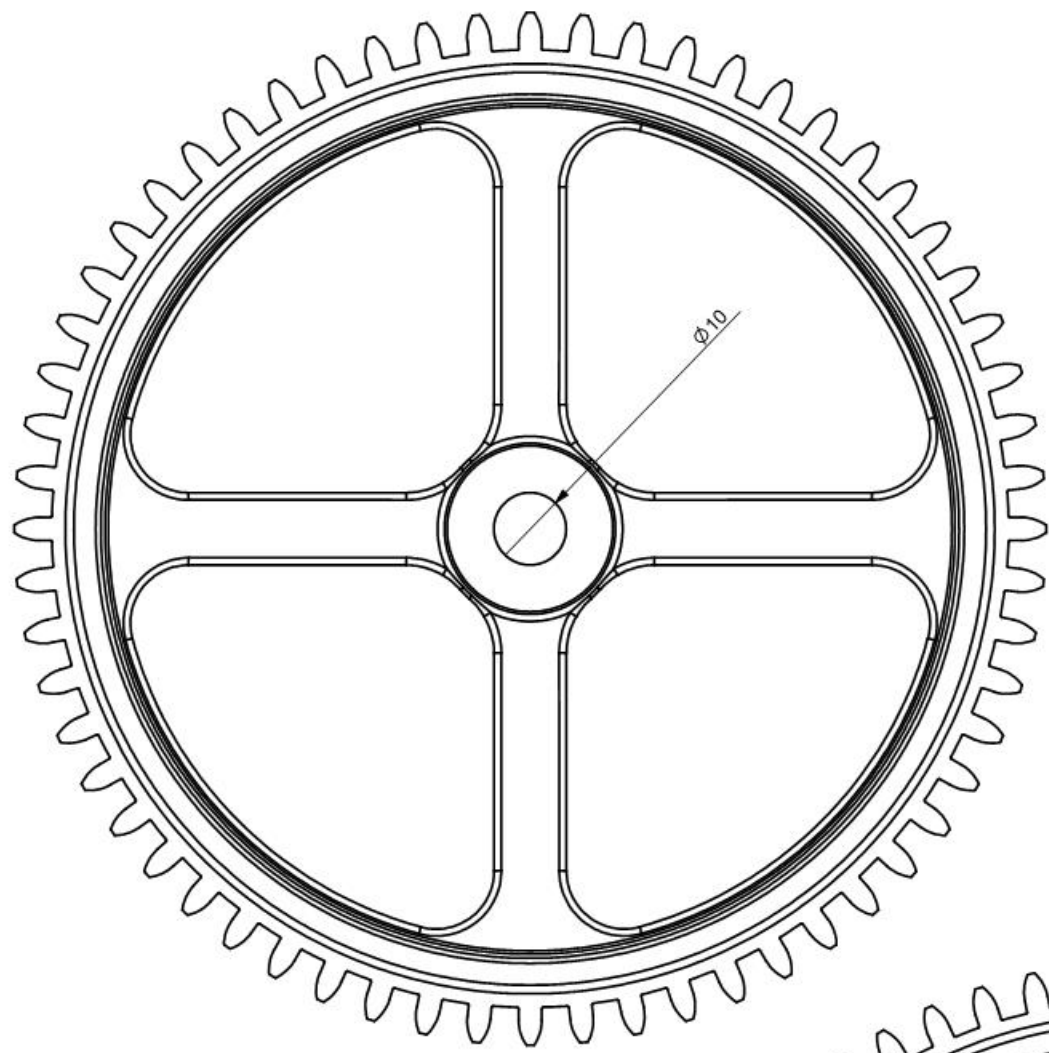


36 Gear 16 teeth DP61-off

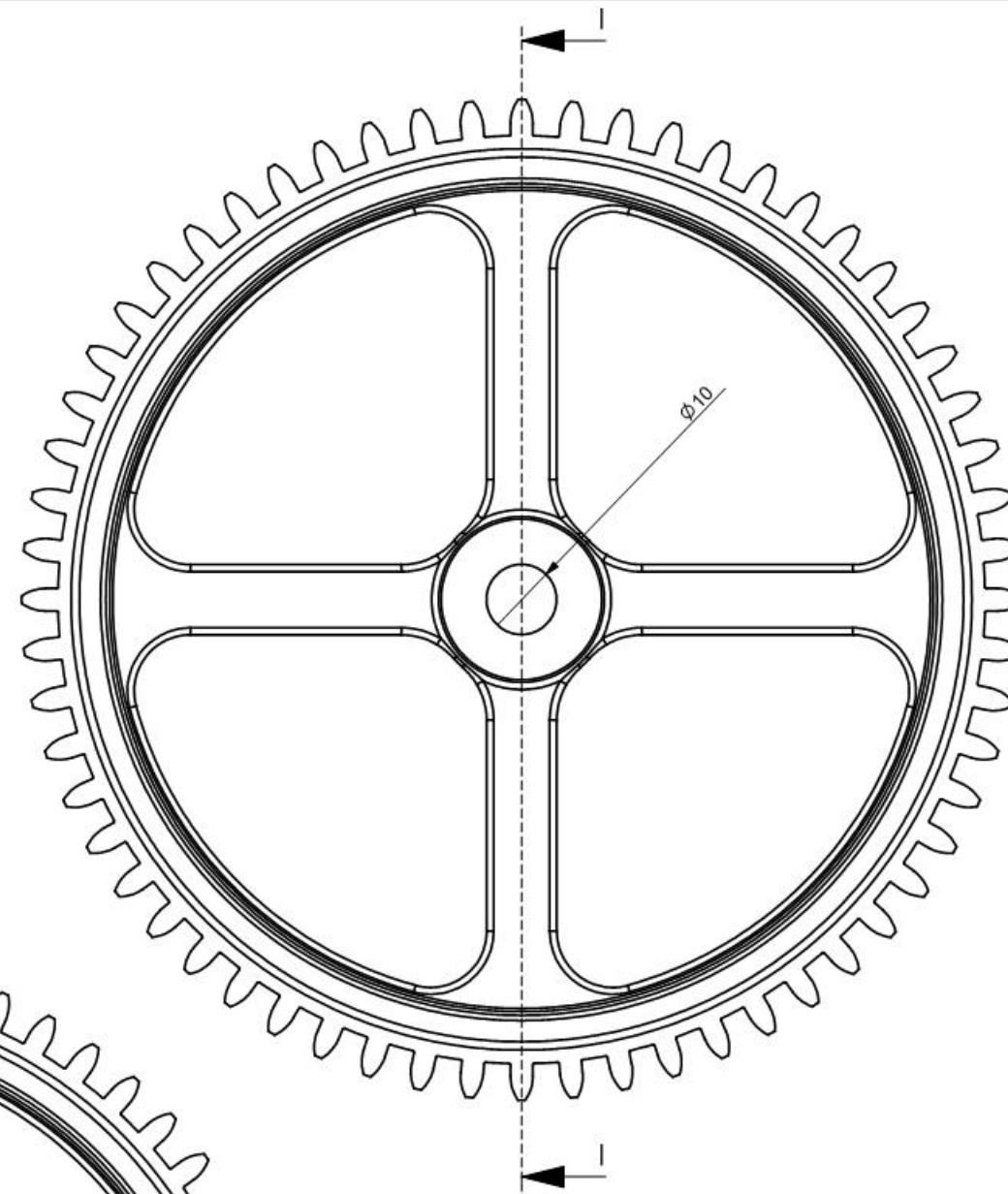


44 Gear 12 teeth 1-off

| | | | |
|-----------------|---|----------|---|
| SHT 5 OF 8 SHTS | LAW WOODEN CLOCK 2 | Gears 1 | |
| NTS | ALL DIMENSIONS IN MM 3rd ANGLE PROJECTION UNTOLERANCED DIMS +/- 0.5 | JAN 2001 | Designed by: BRLAW www.woodenclocks.co.uk |



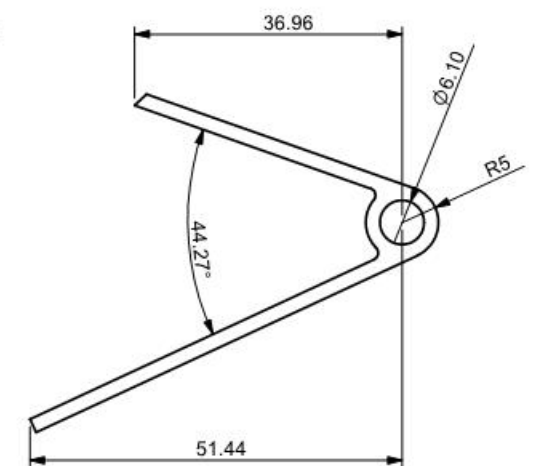
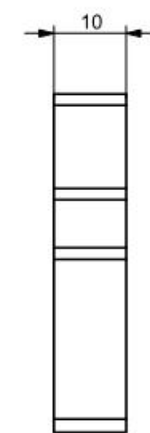
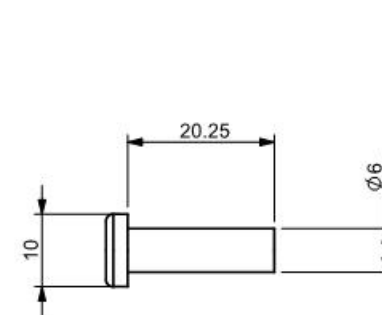
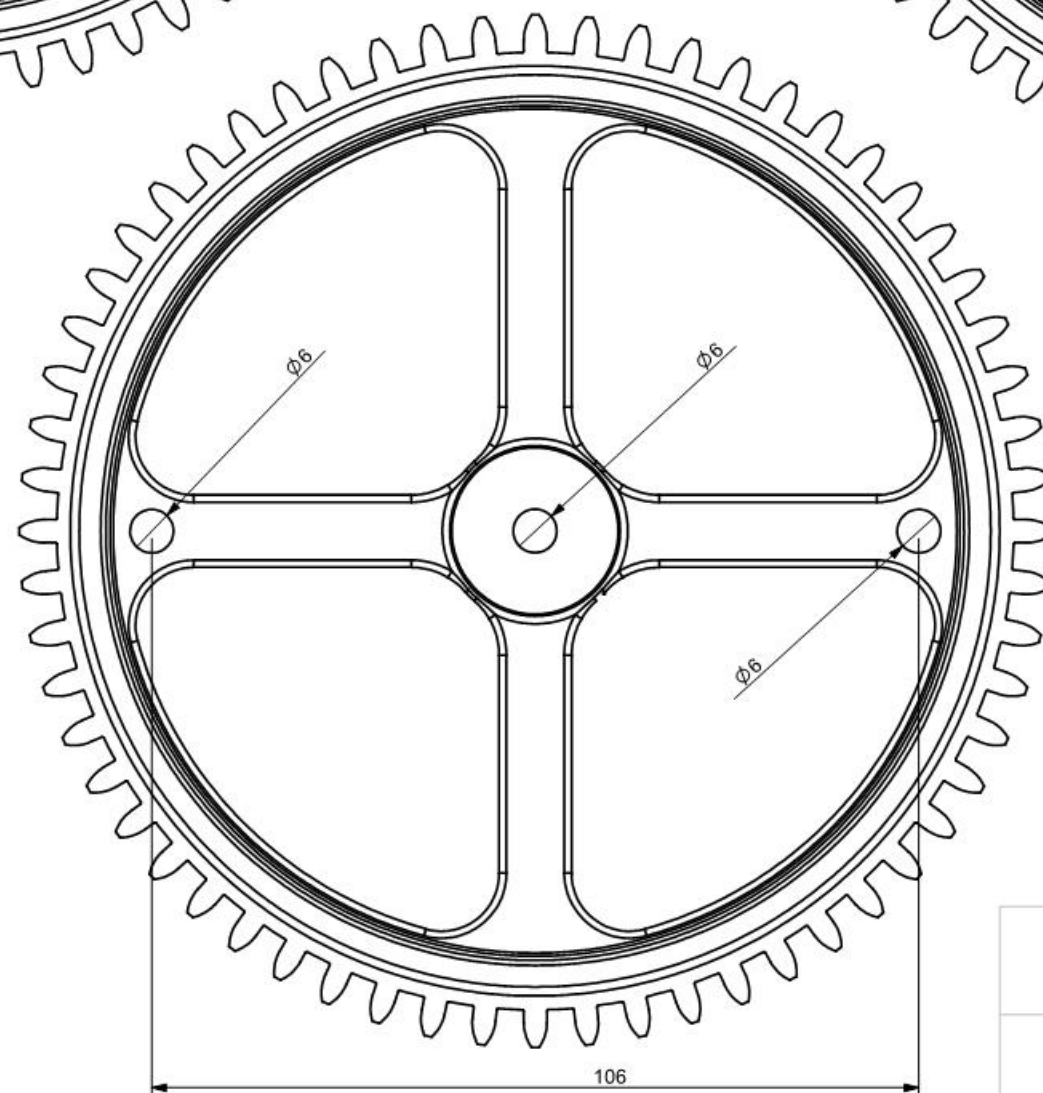
29 Gear 60 teeth 3-off



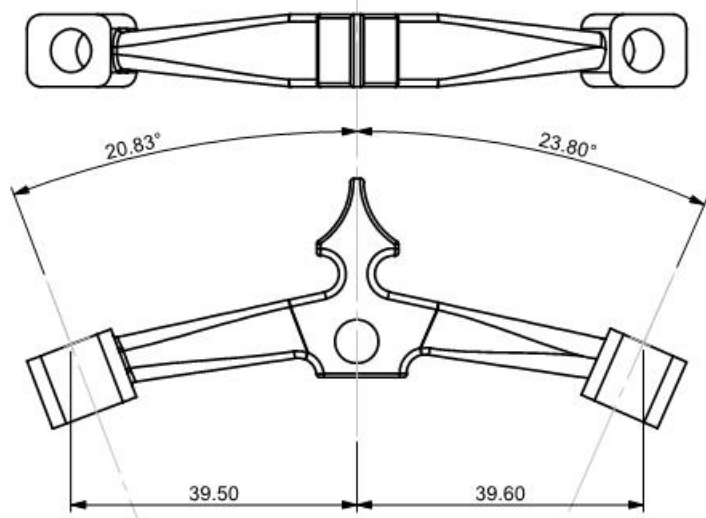
30 Pawl pin 2-off



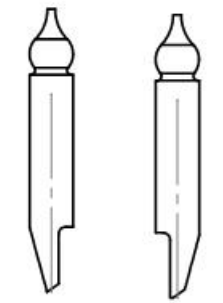
25 Pawl 2-off



| | | | |
|-----------------|---|----------|---|
| SHT 6 OF 8 SHTS | LAW WOODEN CLOCK 2 | Gears 2 | |
| NTS | ALL DIMENSIONS IN MM 3rd ANGLE PROJECTION UNTOLERANCED DIMS +/- 0.5 | JAN 2001 | Designed by: BRLAW www.woodenclocks.co.uk |

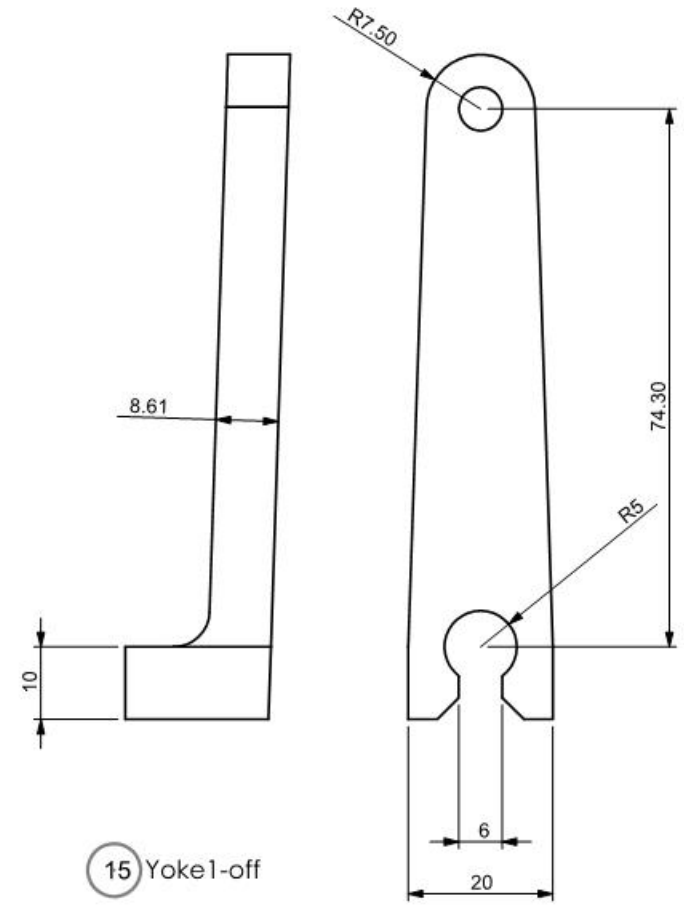


16 Escape 1-off

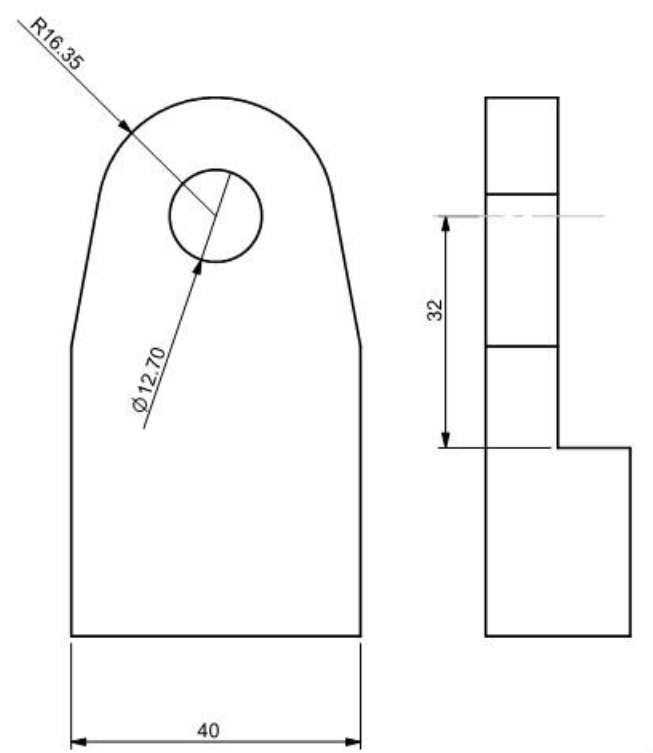


17 Pallet 2 1-off

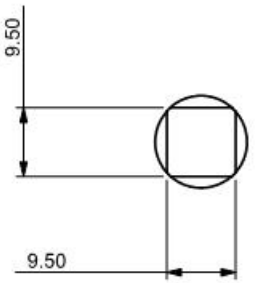
18 Pallet 1 1-off



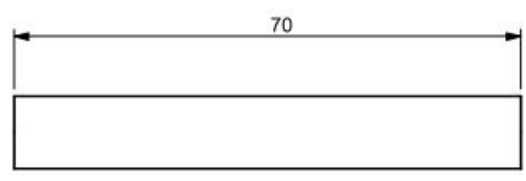
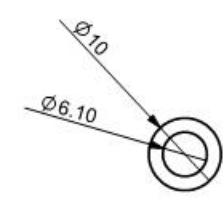
15 Yoke 1-off



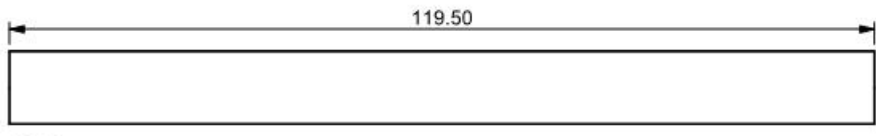
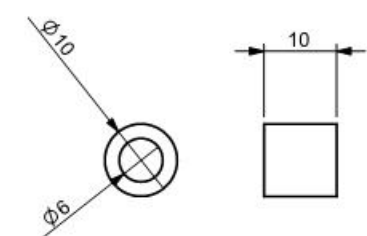
45 Winder support 1-off



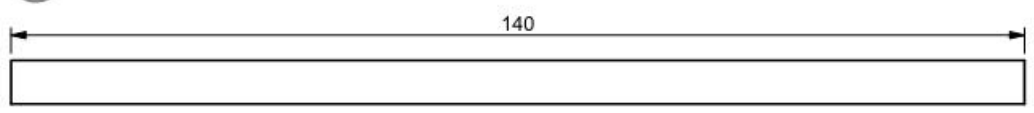
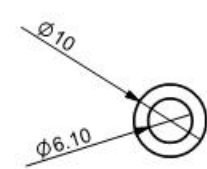
41 Key shaft 1-off



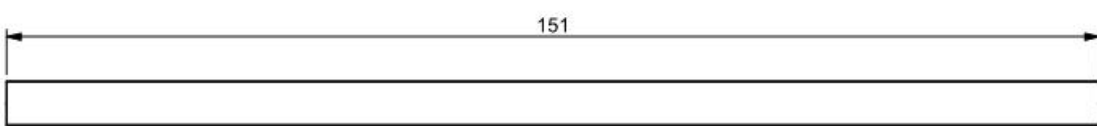
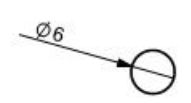
26 Sleeve 70 1-off



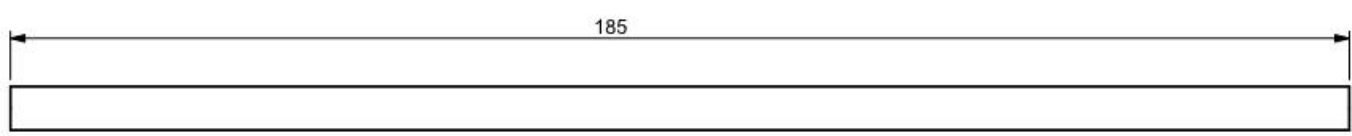
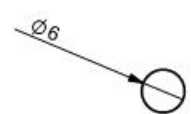
22 Sleeve 119 3-off



21 Shaft 140 3-off



14 Shaft 151 1-off



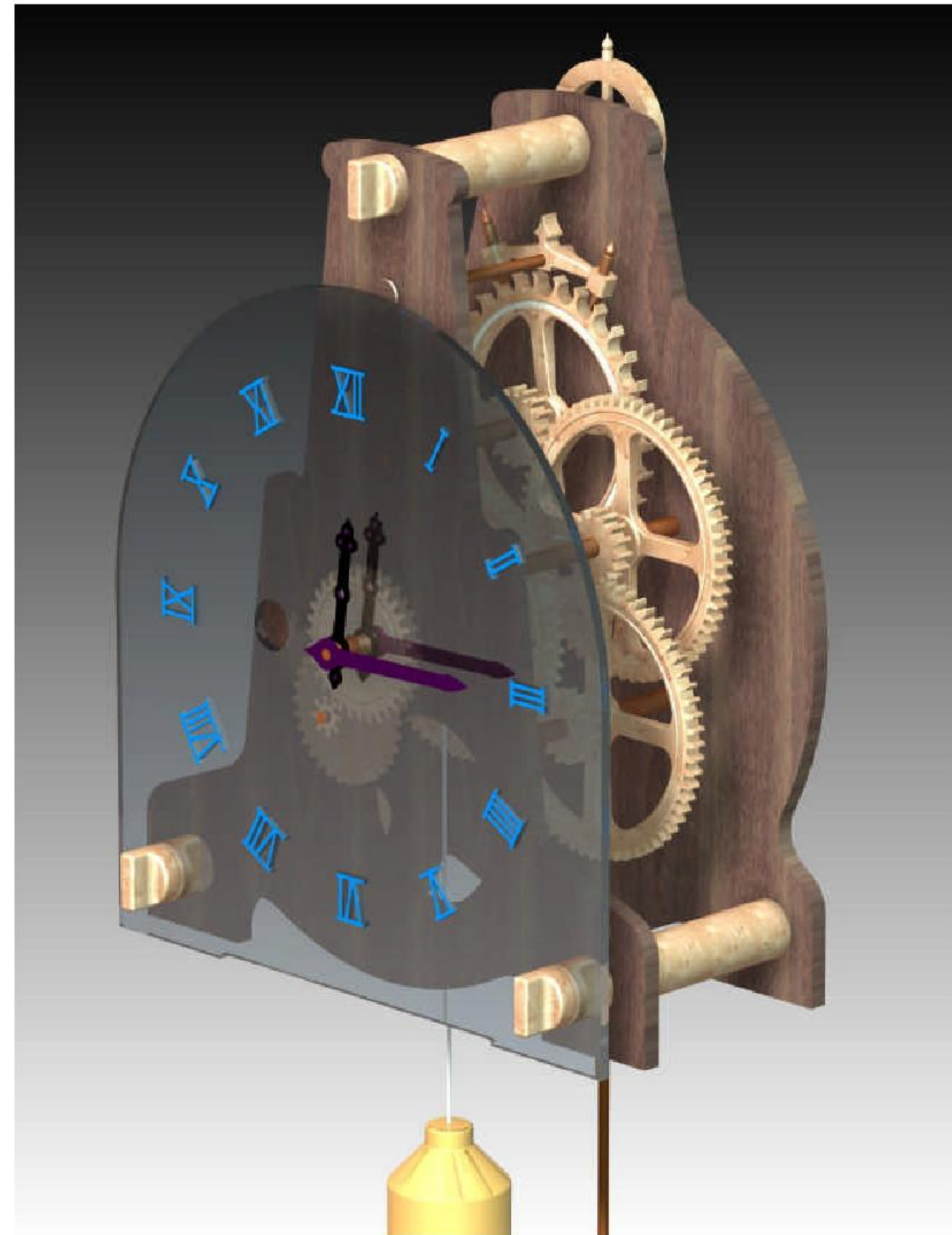
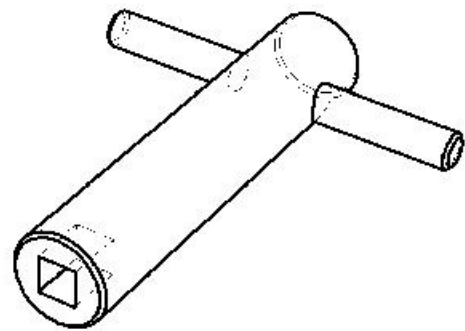
24 Shaft 185 1-off

| | | | |
|-----------------|---|----------|--|
| SHT 7 OF 8 SHTS | LAW WOODEN CLOCK 2 | Details | |
| NTS | ALL DIMENSIONS IN MM 3rd ANGLE PROJECTION UNTOLERANCED DIMS +/- 0.5 | JAN 2001 | Designed by: BRLAW www.woodenclocks.co.uk |

Woodenclock Clock 2

Notes

- ① Use close-grained timber such as Beech planed down to a thickness of 10 mm for all components unless otherwise stated.
- ① All shafts for spindles should be made from 6 mm diameter bar.
- ① Any suitable material can be used for the weight. The mass of the weight will need to be established by experiment, but a good starting point would be 6 lbs.
- ① Details of the dial numerals are shown for guidance only, the actual form of the numerals is left to your own discretion.. They can be applied by painting or as relief numerals cut from thin sheet.
- ① The hands are again given for guidance only, although in this instance they are drawn to size so that you can copy these if you wish. They should in any event be cut from thin sheet.
- ① Where the components are drawn to 1:1 scale you can attach the drawing to the timber using a low tack adhesive, and cut around the profiles. Great care should be taken with this approach when cutting the gear teeth because they need to be cut very accurately to avoid problems when assembling the clock.
- ① The frame is held together using 3 threaded screws into spacers (3)glued into the back plate. Alternatively pins fitted into holes cross drilled after assembly can be used.
- ① Care should be taken to adjust the pallets (17 & 18) relative to the timing wheel. They should operate to allow the timing wheel to move incrementally forward when swinging through a small arc of movement of the pendulum. (<math><10^\circ</math>).
- ① The pitch of the gears is controlled by the drilling of the hole centres in the front and back frames. It may help to delay the drilling of these holes in the frames until after the gears are first cut and then finished to size. At this point it would help to mount them on two separate pieces of wood and test their free movement one to the other and measure the centre distance between them, so that the hole centres can be drilled at this dimension rather than the theoretical dimension on the drawing.
- ① The winder used is not drawn on the plans but a simple 'T' bar with a square hole in the end to engage over the end of the square end of the shaft holding the winding gears.



| | | | |
|-----------------|---|--------------|---|
| SHT 8 OF 8 SHTS | LAW WOODEN CLOCK 2 | Instructions | |
| NTS | ALL DIMENSIONS IN MM 3rd ANGLE PROJECTION UNTOLERANCED DIMS +/- 0.5 | JAN 2001 | Designed by: BRLAW www.woodenclocks.co.uk |